



PATRIZIAGARGANTI  
Firenze

new collection 2017

C.D.F. - COUP DE FOUDE

designer Roberto Lazzeroni



Collection  
C.D.F.  
Coup De Foudre

A brand new collection designed by Roberto Lazzeroni: a combination of forms, materials and stories that blend together the harmony of blown glass with the strenght of metal structures.

These distinctive features make the C.D.F. collection a timeless design.





Clear Blown Glass | Polished Nickel Finish



Clear Blown Glass  
Polished Black Nickel Finish



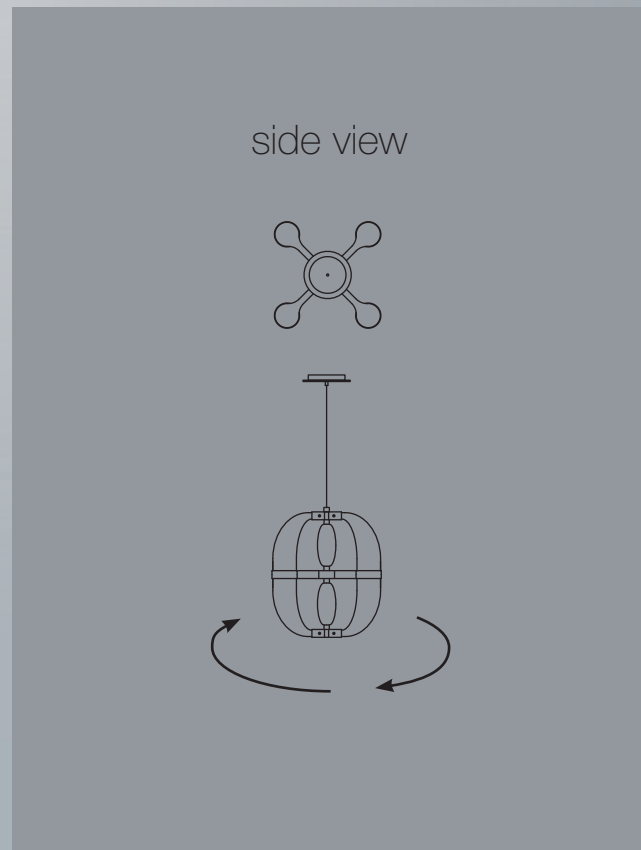
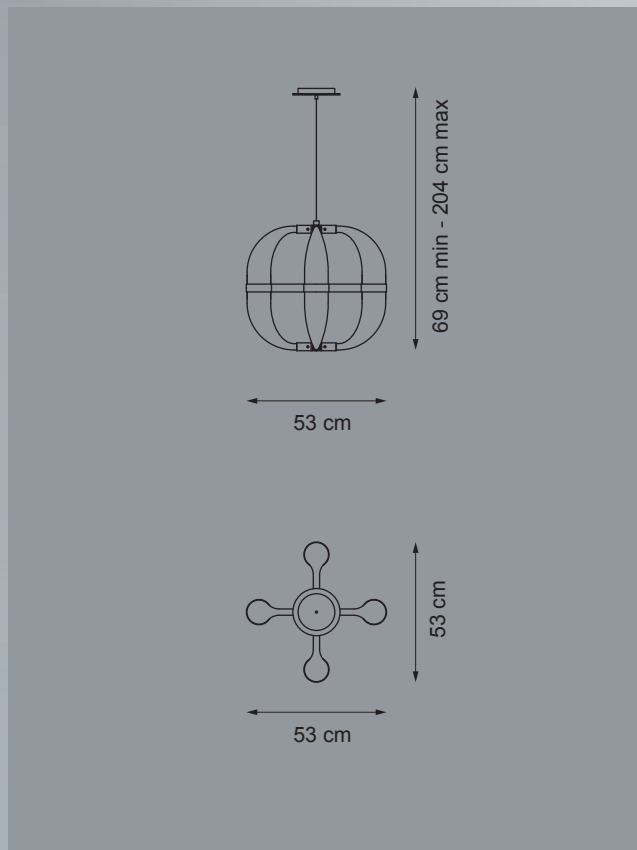


Amber & Clear Blown Glass  
Gold Plated Finish



Satin & Clear Blown Glass  
Polished Nickel Finish

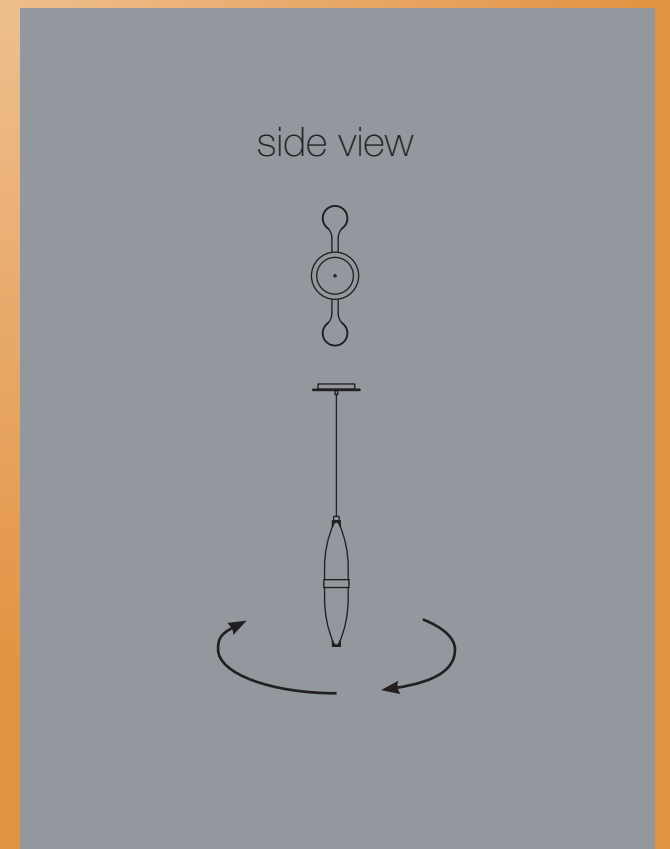
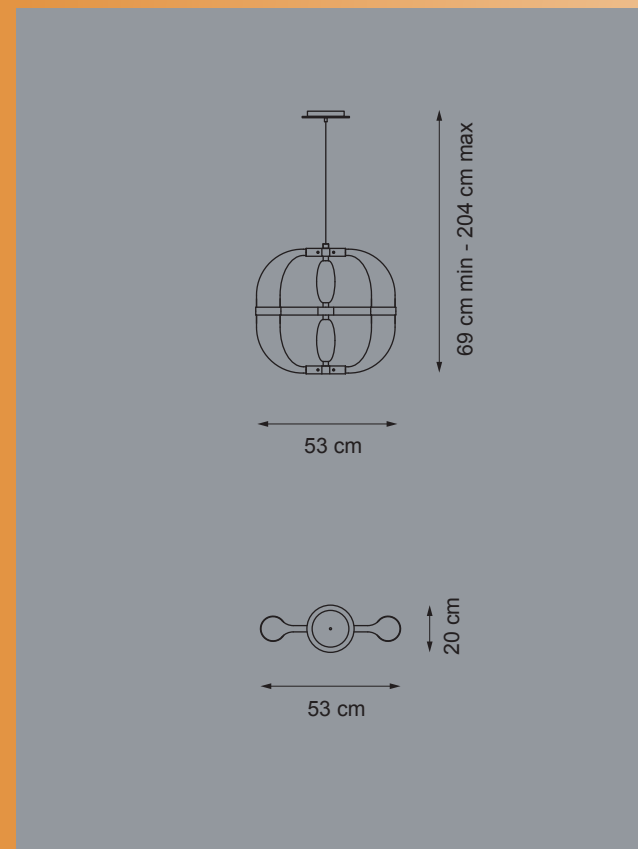




Satin & Clear Blown Glass  
Polished Nickel Finish

Amber & Clear  
Blown Glass

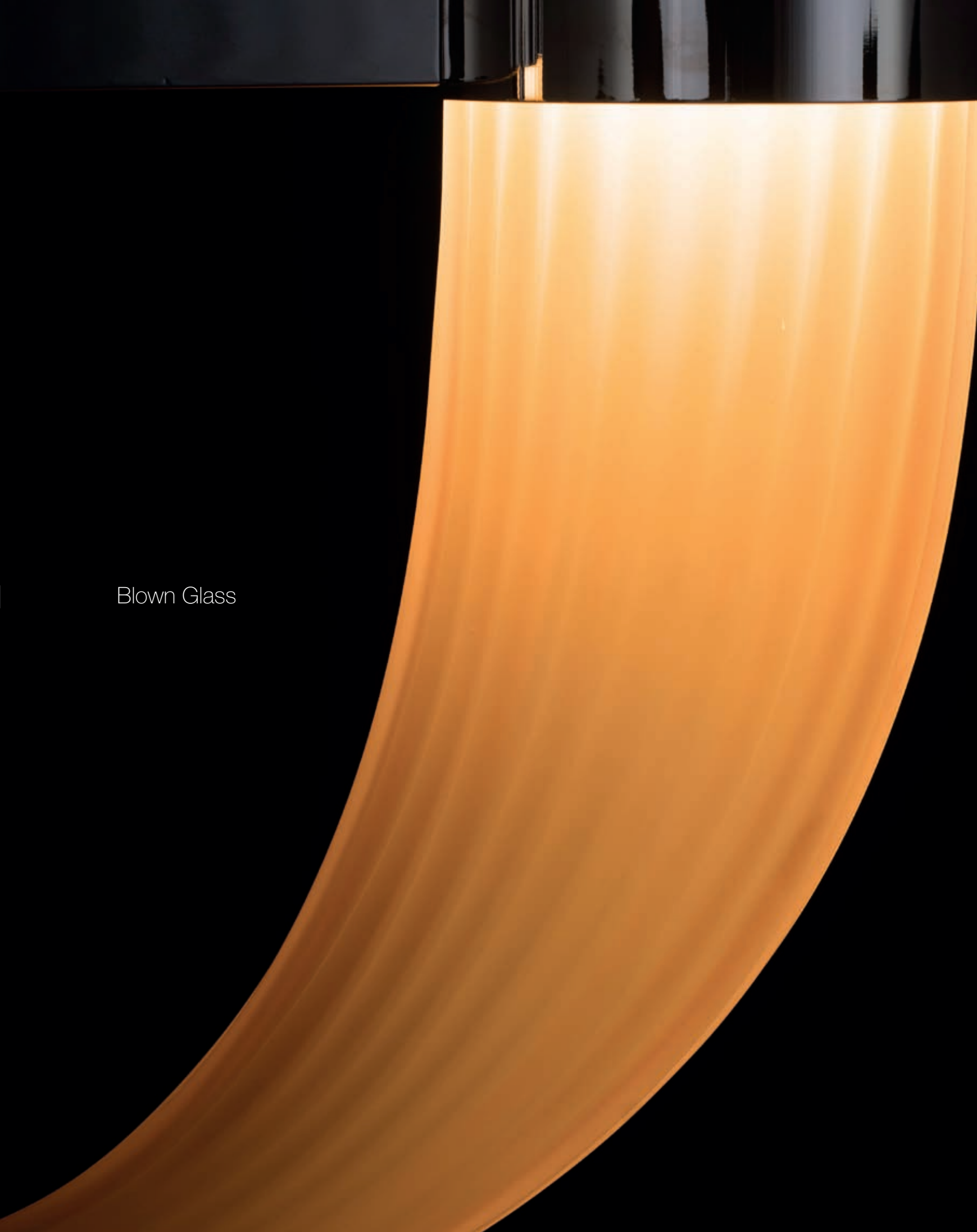
Polished Black  
Nickel Finish







Hand Made



Blown Glass

Satin & Clear  
Blown Glass

Satin Gold Finish





Blown Glass:

Clear glass



Amber glass



Satin white glass



Satin amber glass



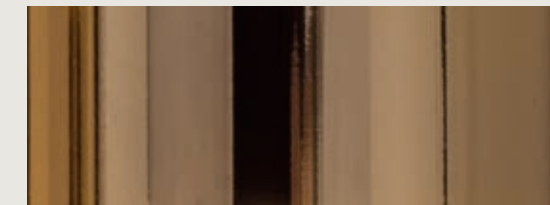
Metal:



Polished nickel



Polished black nickel



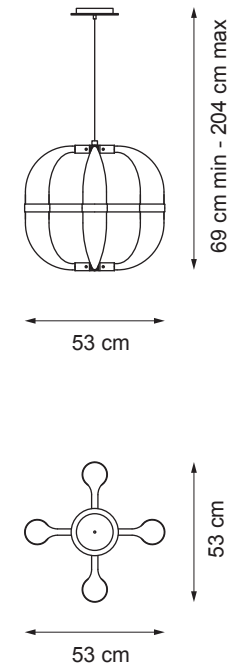
Gold plated



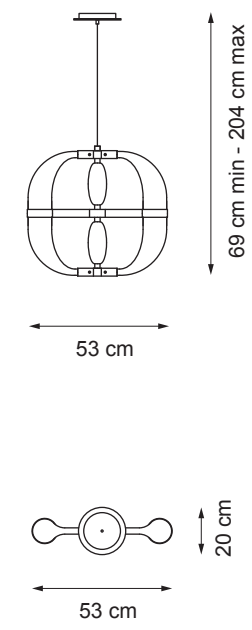
Satin gold



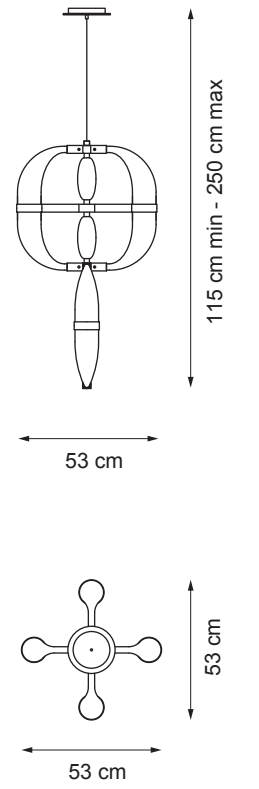
**Item CDF01**  
Led lights chandelier (88W max)



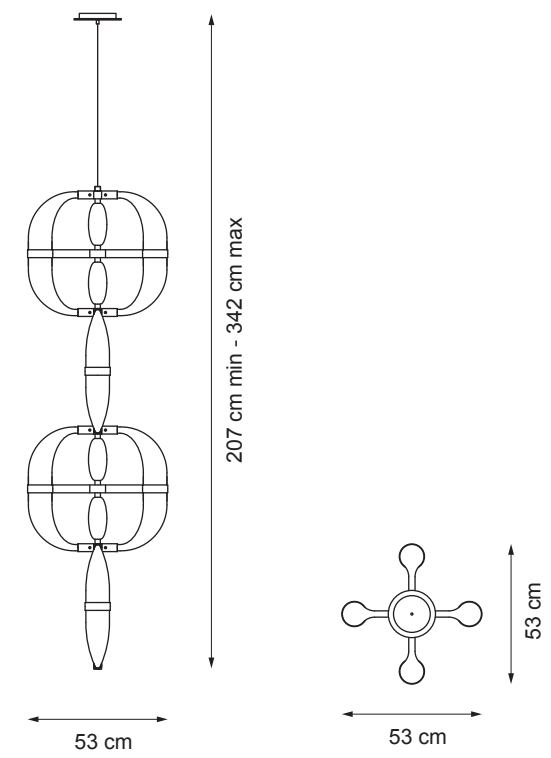
**Item CDF02**  
Led lights chandelier (44W max)



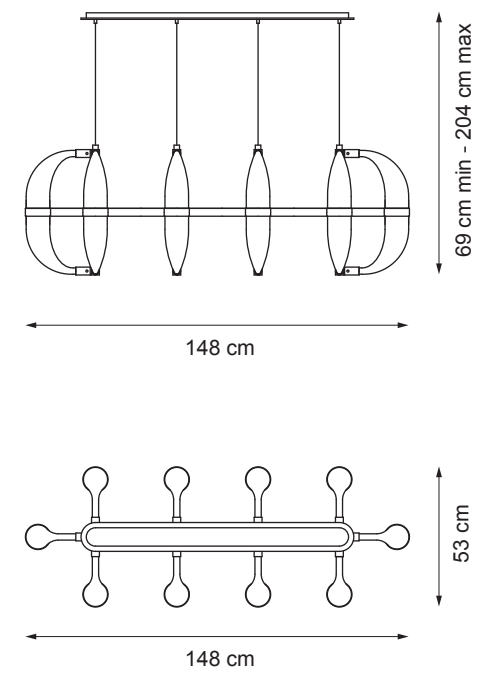
**Item CDF03**  
Led lights chandelier (88W max)



**Item CDF04**  
Led lights chandelier (176W max)



**Item CDF05**  
Led lights chandelier (220W max)



PATRIZIAGARGANTI  
Firenze

new collection 2017

C.D.F. - COUP DE Foudre

designer Roberto Lazzeroni

