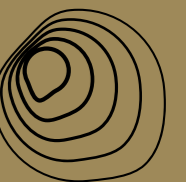


BROKIS



BROKIS



BROKIS

BROKIS



BROKIS – a synthesis of exquisite design, superior quality, and the skill of master artisans continuing the centuries-old Bohemian glassmaking tradition. Its collections have achieved international acclaim by combining handblown glass with other refined materials, such as handcrafted wood and metal, in bold compositions that push the boundaries not only of contemporary lighting design but of the technologies applied in production. The family-run premium brand works with select designers from around the world and operates its own historical glassworks southeast of Prague. Each Brokis light is a genuine original, a functional work of art as captivating by day as it is by night.





TRADITION



PRESERVATION OF BOHEMIAN GLASSBLOWING TRADITION

Brokis is the brainchild of successful Czech entrepreneur Jan Rabell. In 2006, he founded the brand Brokis as a platform to enliven and elevate Bohemian glassmaking to new heights and preserve generations of knowledge and craftsmanship. Nearly ten years prior, in 1997, he acquired the ailing Janštejn Glassworks, founded at the start of the 19th century approximately 140 kilometres southeast of Prague. Demand for traditional products had declined significantly, many of the glassmakers were growing old and leaving, and time-honoured technologies and techniques were at risk of being lost. Mr. Rabell's vision was to restore the factory to its former prestige and ensure that the ages-old Bohemian glassmaking tradition endured into the 21st century.

With Brokis, Jan Rabell created a lighting brand offering entirely different products than those previously produced at Janštejn Glassworks. Several new Italian-style furnaces were built, and production techniques were refined. Some, such as grinding and glass painting, were discontinued, and others were revived, e.g., glassblowing using optic moulds, and traditional hotshop techniques. Original and nearly forgotten formulas for manufacturing coloured glass were reinstated and are now characteristic of the Brokis brand.

Brokis has firmly established itself as a leading innovator in glass lighting. For example, the complex technology applied in production of the Night Birds collection, which consists of imposing yet elegant curved glass silhouettes of birds in various phases of flight, required two years of experimentation to perfect. Today, Brokis and Janštejn Glassworks employ a total of 100 people and enjoy a unique symbiosis that has allowed Brokis to launch sales operations in 70 countries and showcase its renowned lighting collections at the world's top design exhibitions.





GLASSWORKS



JANŠTEJN GLASSWORKS

For more than 200 years, Janštejn Glassworks, situated in Bohemia's picturesque Vysočina Region, has upheld a glassblowing tradition that dates to the end of the 17th century. Founded in 1809 near the village of Horní Dubenky, the factory and generations of tenacious craftspeople employed by it have enjoyed periods of prosperity, yet have also endured much hardship, with three devastating fires, two world wars, and nationalization among the greatest challenges. Today, Janštejn Glassworks is the largest producer of specialty lighting glass in the Czech Republic.







PEOPLE



JAN RABELL

“Nothing’s impossible; never say it can’t be done.”

Entrepreneur Jan Rabell is one of the most dynamic figures in the Czech Republic’s glassmaking industry. Born in Prague in 1965 to a Puerto Rican father and Czech mother, he grew up in his father’s homeland, returning to Prague to pursue a master’s degree in economics. He went on to hold various managing director posts in the field of finance and banking.

In 1997, he purchased the ailing Janštejn Glassworks and set about restoring its prestige and competitiveness primarily by introducing unconventional glassblowing techniques and production technologies.

In 2006, he founded the premium handblown glass lighting brand BROKIS, quickly developing it into one of the most important players in the market and exporting its products to countries around the world. Jan Rabell’s charisma, energy, and innovative vision continue to propel BROKIS and the Janštejn Glassworks steadily forward. The entire Rabell family are involved in the business, with wife, Petra, and son André playing especially important roles.



LUCIE KOLDOVA

BROKIS art director Lucie Koldova is an acclaimed Czech product and furniture designer. Her collaboration with BROKIS began in 2010 with the timeless Muffins and Balloons lighting collections, which she designed while living and working in Paris. The voluminous glass lights embody her charismatic, elegant style and quickly established BROKIS as an innovative producer of handblown glass lighting. She is the creative force behind the brand and is instrumental in shaping its product portfolio and image.

Her creations, objects of desire, include glass sculptures, glass lighting, poetic gallery pieces, and limited-series works. Breathtaking colours, unusual proportions, and vibrant formal contrasts seemingly move her work beyond the realm of the possible, a trademark at once apparent in lighting collections such as Balloons, Capsula, Whistle, and Mona. In addition to developing ever-more novel and exciting motifs, Lucie Koldova has introduced important technological and formal solutions that have enabled BROKIS to push the limits of handblown glass production.

**BROKIS
DESIGN BY
LUCIE KOLDOVA
DAN YEFFET
BORIS KLIMEK
CHIARAMONTE MARIN**



— The timeless Muffins collection represents an extraordinary lighting experience. Since its market debut, it has taken on an iconic status and become a symbol of the Brokis brand. The sublimity of the design lies in the masterful combination of delicately contoured glass and solid wood. The lights, featuring a billowing glass shade set in a handcrafted wood base together with a naked filament bulb, breathe new life into any space and elicit a festive ambience. The collection offers multiple shape and size variants as well as a broad palette of glass colours and woods.

— DESIGN
Lucie Koldova, Dan Yeffet

MUFFINS



GLASS COLOUR / BAS
amber - transparent glass (CGC515)
cognac - transparent glass (CGC540)
violet - transparent glass (CGC554)
smoke brown - transparent glass (CGC538)
opaline - transparent glass (CGC38)
smoke grey - transparent glass (CGC516)
triplex opal (CGC39)

GLASS SURFACE / ALL
glossy surface (CGSU66)

CABLE COLOUR / BAS
textile cable - white (CECL521)
textile cable - white US (CECL835)
textile cable - black (CECL519)
textile cable - black US (CECL834)
textile cable - red (CECL530)
textile cable - grey (CECL520)
textile cable - yellow (CECL606)

SURFACE FINISH / BAS
European Oak - untreated (CCS657)
European Oak - natural waxed (CCS518)
European Oak - clear coat (CCS972)

SURFACE FINISH / STA
European Oak - stained white (CCS680)
European Oak - stained black (CCS592)

SURFACE FINISH / ADD
American Walnut - natural waxed (CCS757)









BALLOONS

Balloons, a collection of timeless lights embodying rudimentary forms evoking images of hot air balloons, captivates with the beauty of large-format handblown glass and an elegant metal reflector hovering within. The design's charm lies in the use of two independent glass sections to achieve the impression of an integral whole. Lavish proportions and an elegant hand-pressed metal reflector are the collection's defining traits. The size of the largest shade pushes the very boundaries of glassblowing technology and illustrates the exceptional skill and craftsmanship of Bohemian glassmakers. The Balloons collection is one of the pillars of the Brokis portfolio. The lights come in three sizes. Balloons also make an outstanding sculptural statement during the day when they are switched off.

DESIGN

Lucie Koldova, Dan Yeffet





GLASS COLOUR / BAS
smoke brown – transparent glass (CGC538)
smoke grey – transparent glass (CGC516)
transparent glass (CGC23)

GLASS SURFACE / ALL
glossy surface (CGSU66)

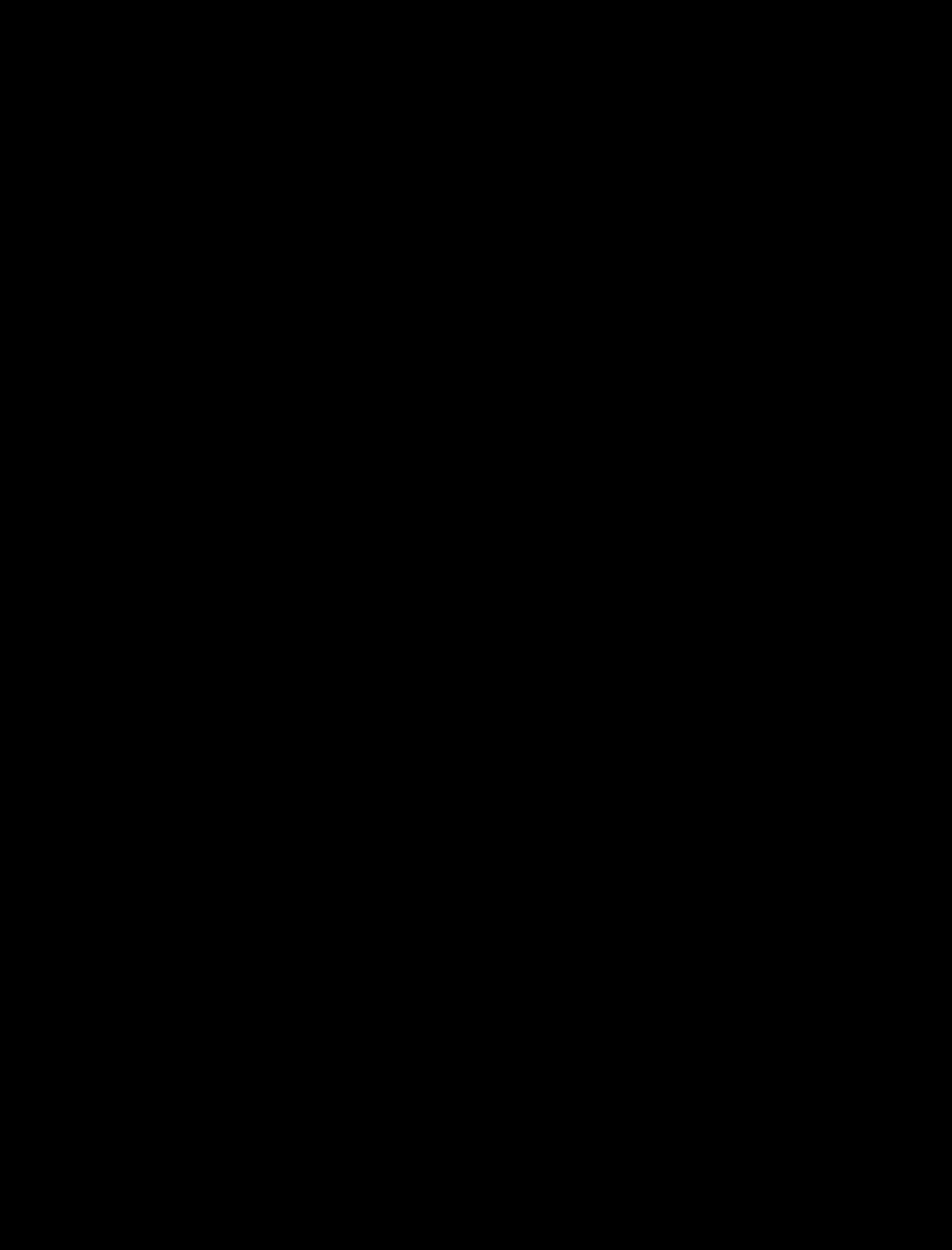
SURFACE FINISH / BAS
white (CCS575)
lemon yellow (CCS613)
black (CCS582)
reflective orange (CCS574)

SURFACE FINISH / ADD
chrome (CCS275)
chrome brushed (CCS960)
chrome black (CCS959)
copper (CCS584)
brass (CCS69)

CABLE COLOUR / BAS
textile cable – white (CECL521)
textile cable – white US (CECL835)
textile cable – black (CECL519)
textile cable – black US (CECL834)
textile cable – red (CECL530)
textile cable – grey (CECL520)
textile cable – yellow (CECL606)











The Shadows collection is a take on the famed, timeless lights found in French ateliers, and its typology pays tribute to that legacy. The combination of handblown glass, handcrafted wood, and classic shaping has given rise to a light of ageless elegance. The collection comprises four different suspension lights, as striking alone as they are in sets, characterized by a handblown glass shade set upon on a handcrafted wooden body. The clean contours and finish are accentuated by the concealed light source. The Shadows collection is special not only for its wide spectrum of glass colour options, surface finishes, and types of wood but also because the lights can be combined into sets according to customer requirements. They are intended for interiors and, thanks to multiple combination possibilities, are well suited to a broad range of installations.

The contours of the Shadows XL collection stay true to the original Shadows collection, but are nearly 50% bolder in their proportions. The collection is a take on the famed, timeless lights found in French ateliers, and its typology pays tribute to that legacy. The combination of handblown glass, handcrafted wood, and classic shaping has given rise to a light of ageless elegance. Shadows XL comprises four different suspension lights, which fulfill their role both independently and in sets. The individual lights are characterized by a handblown glass shade mounted on a hand-sanded wooden body, and the clean contours and finish are accentuated by the concealed light source. The Shadows collection is special for its wide spectrum of glass colour options, surface finishes, and types of wood. The collection is intended for interior installation and, thanks to multiple combination possibilities, is well suited to a broad range of installations.

DESIGN

Lucie Koldova, Dan Yeffet

SHADOWS

GLASS COLOUR / BAS

black - transparent glass (CGC602)
black - triplex opal (CGC36)
smoke brown - transparent glass (CGC538)
opaline - transparent glass (CGC38)
smoke grey - transparent glass (CGC516)
transparent glass (CGC23)
triplex opal (CGC39)

GLASS SURFACE / ALL

glossy surface (CGSU66)
acid-etched outer surface (CGSU67)

SURFACE FINISH / BAS

European Oak - stained white (CCS680)
European Oak - stained black (CCS592)
European Oak - untreated (CCS657)
European Oak - natural waxed (CCS518)
European Oak - clear coat (CCS972)

SURFACE FINISH / STA

American Walnut - natural waxed (CCS757)

CABLE COLOUR / BAS

textile cable - white (CECL521)
textile cable - white US (CECL835)
textile cable - black (CECL519)
textile cable - black US (CECL834)
textile cable - red (CECL530)
textile cable - grey (CECL520)
textile cable - yellow (CECL606)















MEMORY

The Memory collection awakens the imagination and beckons back to a carefree childhood. The wall and ceiling versions in different sizes, the wide range of colour options, and a selection of finishes give this lighting experience a large degree of versatility. The illusion of inflated balloons is flawless right down to the dangling string, which serves to switch the light on and off. This is beauty in its simplest and most persuasive form. The Memory collection consists of ceiling and wall versions in three sizes. There are also sets that allow multiple lights to be combined on a single ceiling canopy. Unlike the other collections, Memory are not supplied with a light source.

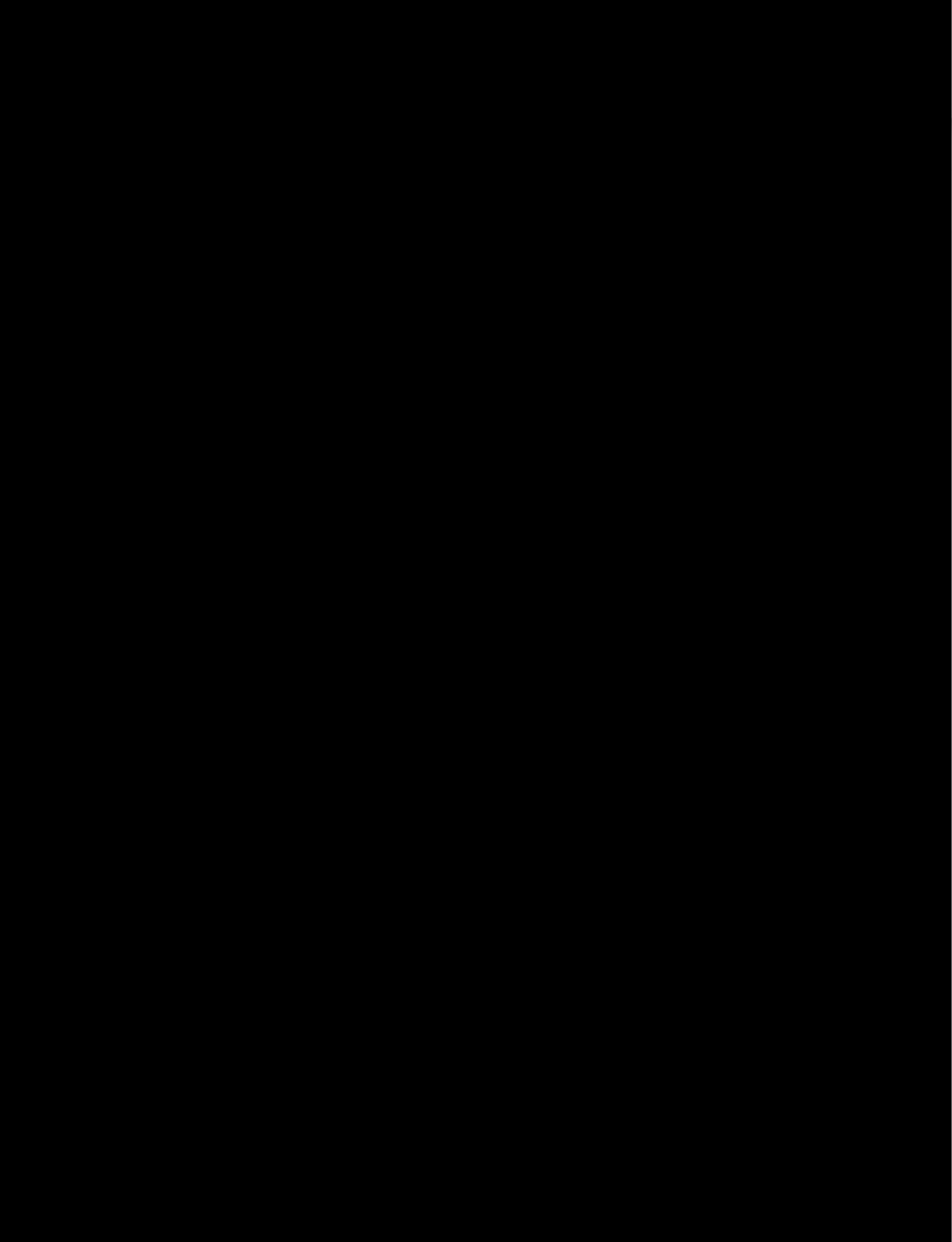
DESIGN

Boris Klimek









GLASS COLOUR / BAS

red - triplex opal (CGC579)
blue - triplex opal (CGC28)
orange - triplex opal (CGC580)
light pink - triplex opal (CGC30)
grey - triplex opal (CGC617)
turquoise - triplex opal (CGC601)
green apple - triplex opal (CGC578)
yellow - triplex opal (CGC47)
triplex opal (CGC39)

GLASS COLOUR / STA

smoke brown - transparent glass (CGC538)
smoke grey - transparent glass (CGC516)
transparent glass (CGC23)

GLASS SURFACE / ALL

glossy surface (CGSU66)
acid-etched inner and outer surface (CGSU881)
matt inner glass surface (CGSU880)







Light as a metaphor for the source of life. Capsula is a sophisticated and exhilarating design bearing resemblance to a plant cell or seed. The nucleus of the piece is a tubular triplex-glass LED light source, developed by Brokis, that transects the inner shade and translucent external shell to form a notional axis. The layering and overlapping of these three distinct components give rise to dramatic 3D optical effects. The end caps fasten the components together and serve as anchor points for the creative dual suspension straps, which also conceal the power cable and allow for variation in the final positioning of the light. Capsula comes in sets as well as individual lights that can be combined per customer requirements.

DESIGN
Lucie Koldova

CAPSULA









GLASS COLOUR / BAS

opaline - transparent glass (CGC38)
smoke grey - transparent glass (CGC516)
transparent glass (CGC23)

GLASS SURFACE / ALL
glossy surface (CGSU66)

COLOUR OF THE INNER GLASS / ALL

amber - transparent glass (CGC1686)
red - transparent (CGCI913)
violet - transparent glass (CGCI683)
opaline - transparent glass (CGCI749)
orange - transparent (CGCI938)
light blue - transparent (CGCI912)
smoke grey - transparent glass (CGCI685)
dark smoke grey - transparent glass (CGCI684)
yellow - transparent glass (CGCI681)
transparent glass (CGCI682)

GLASS SURFACE OF THE INNER GLASS / ALL

glossy surface (CGSU906)
acid-etched inner and outer surface (CGSU905)

CABLE COLOUR / BAS

textile cable - white (CECL521)
textile cable - black (CECL519)







The Mona collection is based on the concept of penetrating forms. The light source boldly traverses the ample volume of smooth handblown glass to reveal the thrilling tension inherent in the design. The collection's essence, however, lies in its unconventional construction and refined combination of materials. It also boasts dimmable tubular LED light sources, developed by Brokis, each with a different colour temperature.

The Mona Medium collection includes floor, suspension, and wall lights of medium proportions compared with the other Mona collections.

The Mona Small collection includes wall and table lights of the smallest proportions compared with the other Mona collections.

DESIGN
Lucie Koldova

MONA



GLASS COLOUR / BAS
black - transparent glass (CGC602)
violet - transparent glass (CGC654)
opaline - transparent glass (CGC38)
smoke grey - transparent glass (CGC516)
transparent glass (CGC23)

GLASS SURFACE / ALL
glossy surface (CGSU66)

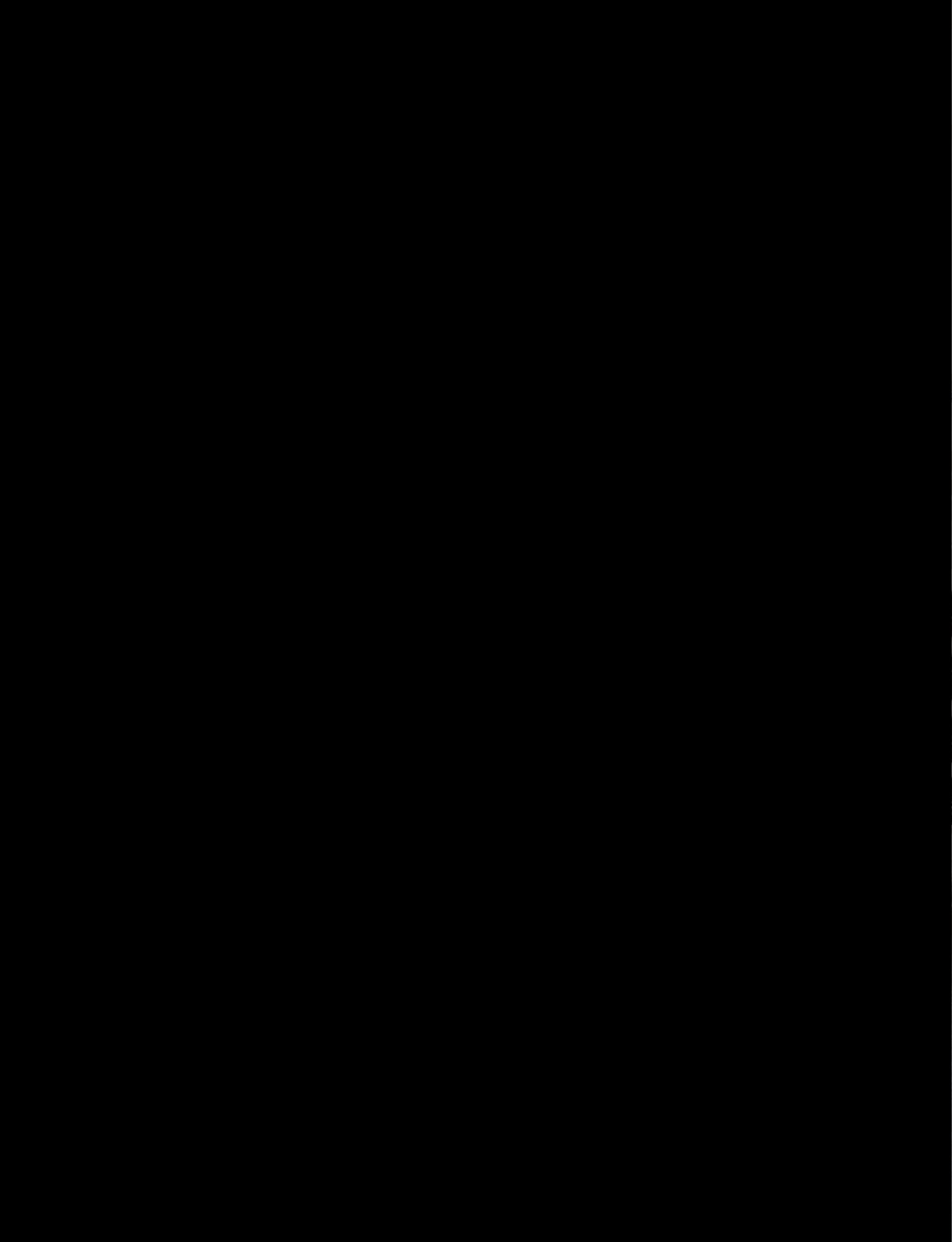
SURFACE FINISH / BAS
European Oak - stained white (CCS680)
European Oak - stained black (CCS592)
European Oak - untreated (CCS657)
European Oak - natural waxed (CCS518)
lamp body - white (CCS732)
lamp body - black (CCS727)

STRAPS / BAS
textile straps - white (GINT679)
textile straps - black (GINT678)

STRAPS / ADD
leather straps - natural (GINT788)
leather straps - dark brown (GINT793)
leather straps - black (GINT792)
leather straps - grey (GINT758)

CABLE COLOUR / BAS
textile cable - white (CECL521)
textile cable - black (CECL519)









WHISTLE

The Whistle collection is, quite literally, a living reference to the work of glassmakers, as inspiration for the design was taken from the blowpipe, which in Czech is known as a glassmaker's whistle. The lucid body of the piece traces the silhouette of a cone of light, and a distinct spotlight with hand-pressed metal shield constitutes its imaginary heart. The overall shape and the naked cable winding its way up through the body of the light define the character of its simplistic technical form. The collection comprises a suspension light in two sizes as well as a set of three lights.

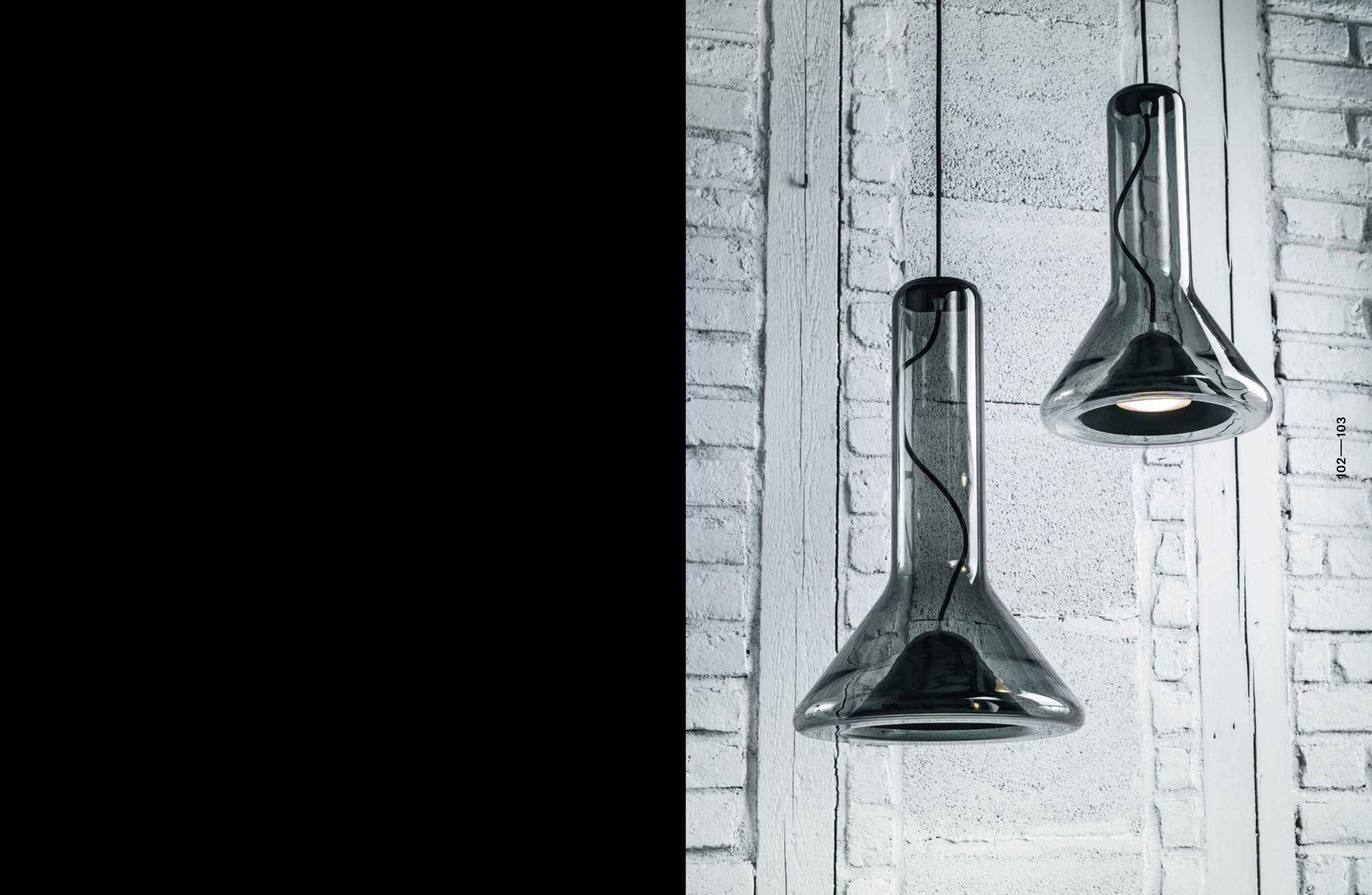
DESIGN

Lucie Koldova





100—101





GLASS COLOUR / BAS
smoke brown – transparent glass (CGC538)
opaline – transparent glass (CGC38)
smoke grey – transparent glass (CGC516)
transparent glass (CGC23)

GLASS SURFACE / ALL
glossy surface (CGSU66)

SURFACE FINISH / BAS
white (CCS575)
black (CCS582)
magenta (CCS724)
menthol (CCS723)
grey (CCS720)

SURFACE FINISH / ADD
chrome (CCS275)
copper (CCS584)
brass (CCS69)

CABLE COLOUR / BAS
textile cable – white (CECL521)
textile cable – white US (CECL835)
textile cable – black (CECL519)
textile cable – black US (CECL834)
textile cable – magenta (CECL726)
textile cable – menthol (CECL725)
textile cable – grey (CECL520)









Inspired by the abandon and freedom of bird flight, the innovative Night Birds suspension lights impart poetic enchantment and unparalleled dynamism to any interior. Night Birds differ from the other collections in the unique technology applied in production, which involves melting glass into a mould and then shaping it by means of grinding and slumping. The process makes it possible to instill delicate nuances in the shape of the wings and achieve a colouration of the glass that is different and wholly unique each time. The collection's restraint and directness are underscored by the minimalist LED light source set in a body of polished and lacquered aluminum. The Night Birds collection comprises three lights with different wing attitudes depicting the various phases of bird flight. The lights are available in white and dark variants. Night Birds work best in large flocks.

DESIGN
Boris Klimek

NIGHT BIRDS

GLASS COLOUR / BAS
opal - opaque glass - massif (CGC772)
smoke grey - massif (CGC882)

CABLE COLOUR / BAS
textile cable - black (CECL519)
textile cable - black US (CECL834)
transparent cable (CECL149)









FLUTES

Flutes were initially designed as a collection of suspension lights for the interior spaces of a hotel. Their potential and utility value, however, far exceed the demands of the original project. As the name implies, the simple yet elegant conical shape is reminiscent of a flute. Taking the same inspiration, the stylized openings serve a practical purpose by allowing the light to be directed at various angles depending on which opening the cable is passed through. This provides numerous possibilities for combining the lights in intriguing compositions. Flutes are available in several colours. The collection comprises three lights, each with a different degree of bevel on the open end of the shade.

DESIGN

Lucie Koldova





GLASS COLOUR / BAS
opaline - transparent glass (CGC38)
orange - transparent glass (CGC157)
smoke grey - transparent glass (CGC516)

GLASS SURFACE / ALL
glossy surface (CGSU66)

SURFACE FINISH / BAS
iron - white matte powder coating (CCS845)
iron - black matte powder coating (CCS846)
iron - orange matte powder coating (CCS615)

CABLE COLOUR / BAS
textile cable - white (CECL521)
textile cable - white US (CECL835)
textile cable - black (CECL519)
textile cable - black US (CECL834)
textile cable - orange (CECL801)
textile cable - grey (CECL520)





LIGHTLINE

In its every component, the Lightline collection is a celebration of glass as an artistic medium. The concept of a line of light is rooted in the varying characteristics of the material and its forms. The design employs the effect of light uniformly dispersed over a sandblasted surface, which in profile creates the impression of a luminous line. The LED light source is embedded in the base beneath a metal and triplex-opal glass shroud. The upper surface, sandblasted by hand, is treated with a special nano coating to prevent the accumulation of dust and smudges. The collection comprises four table lamps that cast a light of intimate character.

DESIGN
Lucie Koldova



GLASS COLOUR / BAS

amber – transparent glass (CGC515)
red – transparent (CGC45)
violet – transparent glass (CGC554)
blue – transparent glass (CGC544)
opaline – transparent glass (CGC38)
orange – transparent glass (CGC157)
smoke grey – transparent glass (CGC516)
dark smoke grey – transparent glass (CGC700)
transparent glass (CGC23)

GLASS SURFACE / BAS

glossy – sandblasted top part (CGSU806)

COLOUR OF THE BOTTOM PART / BAS

dark smoke grey – transparent glass (CGGB813)
transparent glass (CGGB812)

GLASS SURFACE OF THE BOTTOM PART / BAS

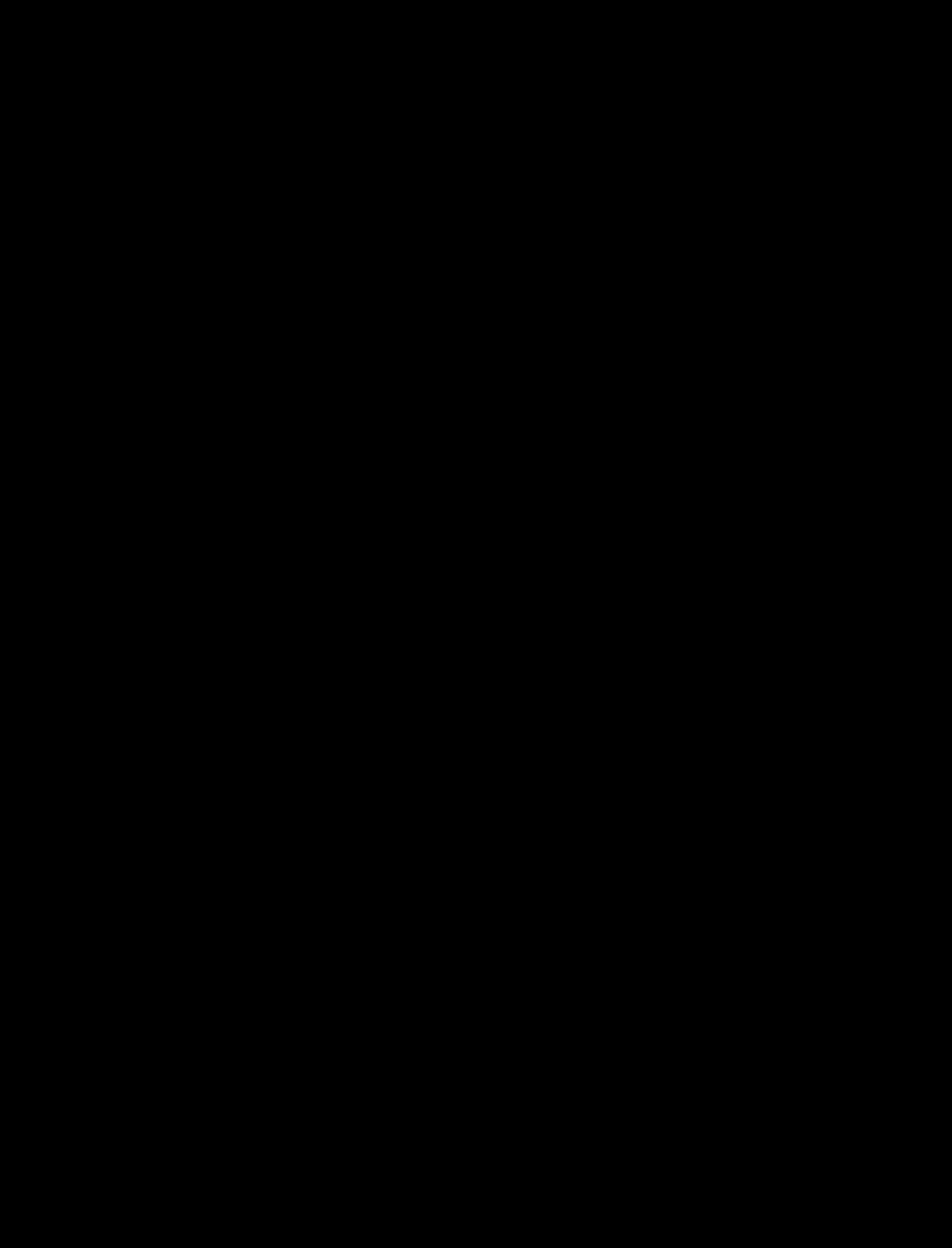
glossy surface (CGSUB890)
acid-etched both side surface (CGSUB891)

CABLE COLOUR / BAS

textile cable – white (CECL521)
textile cable – white US (CECL835)
textile cable – black (CECL519)
textile cable – black US (CECL834)
textile cable – grey (CECL520)
textile cable – grey US (CECL1496)











KNOT

KNOT is a collection of stately pendent lights that appose two dramatically dissimilar materials. The design combines coarse natural fibre with smooth, transparent blown glass to arouse a contrast as striking as it is dignified. Full-bodied globes of varying shapes and sizes are penetrated by robust cords that seemingly pull the bottom of the glass inward for a bemusing plastic effect. The LED light source is housed in a handsome top hood, which, like the cord end cap, is fashioned in refined metal. KNOTs are well-suited to both private and public interior spaces and make a particularly impressive statement above dining tables. The collection currently comprises four pendent lights and several colour options.

DESIGN

Chiaramonte Marin Design Studio











GLASS COLOUR / BAS
smoke brown - transparent glass (CGC538)
opaline - transparent glass (CGC38)
smoke grey - transparent glass (CGC516)
transparent glass (CGC23)

GLASS SURFACE / ALL
glossy surface (CGSU66)

SURFACE FINISH / BAS
chrome black (CCS959)
copper (CCS584)
brass (CCS69)
brushed stainless steel (CCS68)

ROPE / BAS
rope - natural (CRP970)





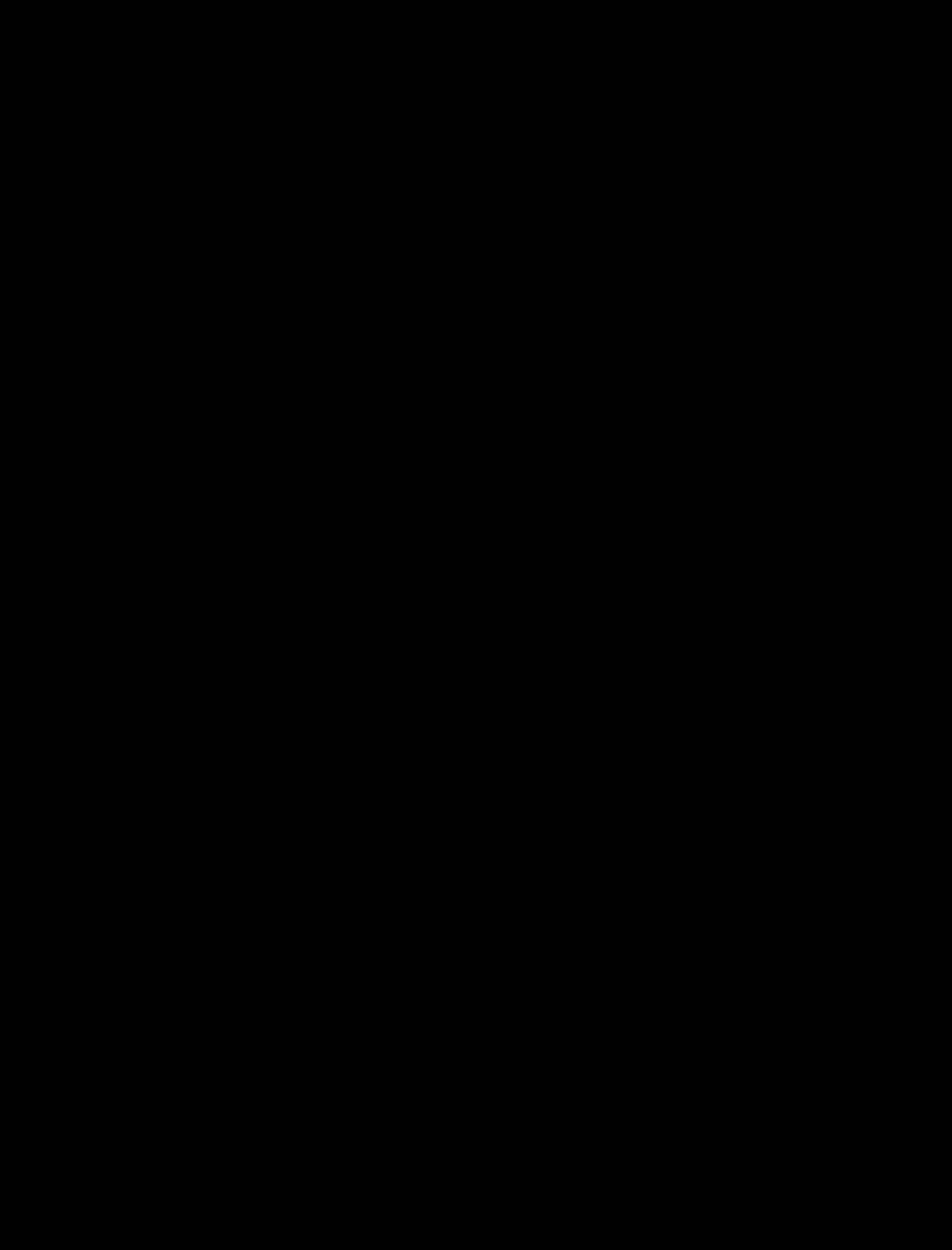
PURO is a boldly minimalistic variation on atmospheric pendant lights. Inspiration for the collection and its name come from the Spanish word for "cigar", which also means "pure" and is a reference to the composition's clean lines. The design creates an intriguing interplay between horizontal and vertical luminous cigar tubes levitating in space above simple bell lights. The diffused glow of the tubes combines with that of the bells to elicit a dynamic ambience, while the alternating gloss and matte finishes provide a degree of provocation. PURO offers atmospheric room lighting as well as lighting for offices, hospitality interiors, and private dining areas. The collection comprises a single bell light suspended beneath a vertical tube and dual bell lights suspended beneath a horizontal tube.

DESIGN
Lucie Koldova

PURO











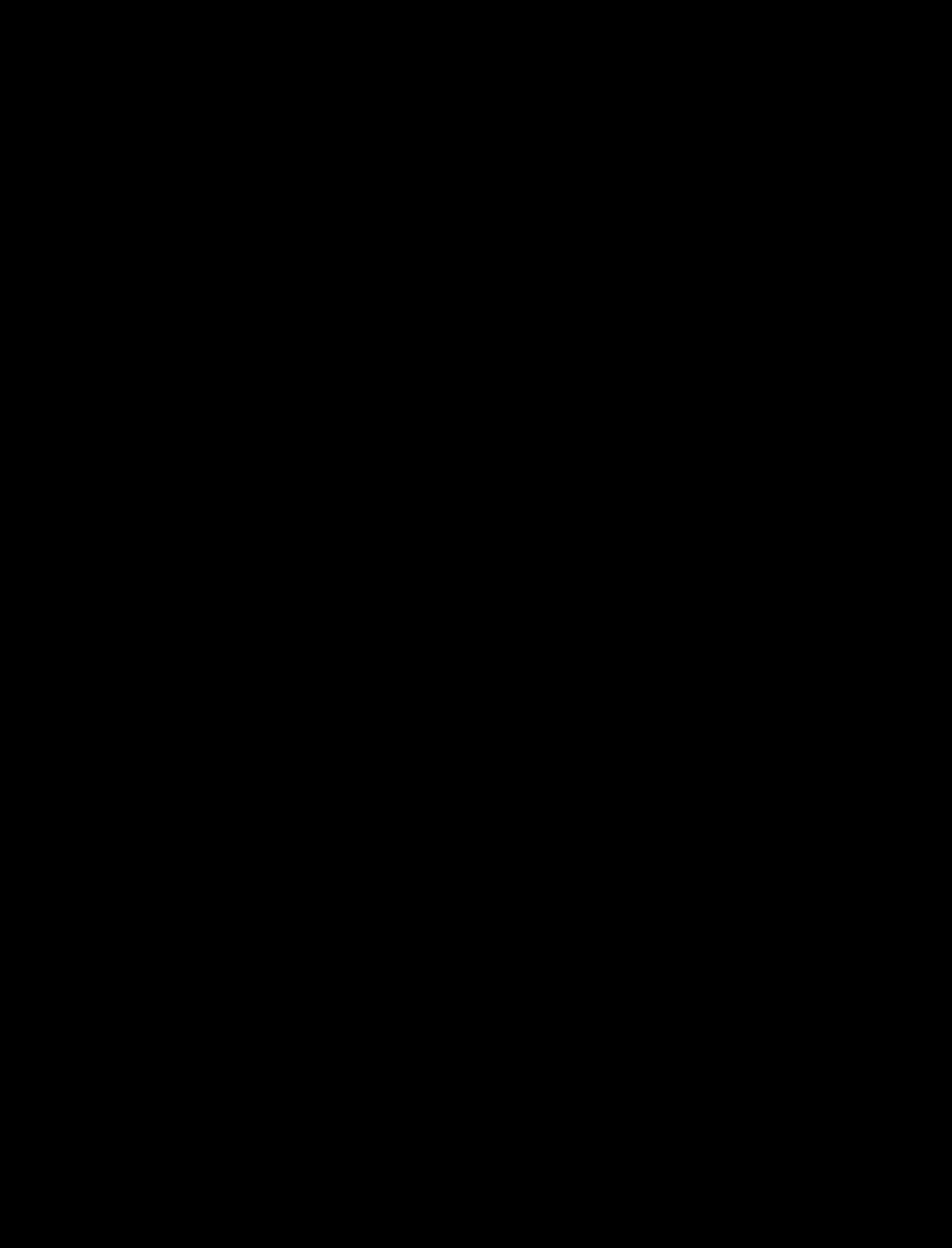
GLASS COLOUR / BAS
dark grey - opaline (CGC1507)
triplex opal (CGC39)

GLASS SURFACE / BAS
acid-etched both side surface (CGSU881)

GLASS - BOTTOM PART / BAS
smoke grey - transparent glass (CGGB977)
transparent glass (CGGB812)
triplex opal (CGGB979)

GLASS SURFACE OF THE BOTTOM PART / BAS
glossy surface (CGSUB890)
acid-etched both side surface (CGSUB891)

CABLE COLOUR / BAS
textile cable - white (CECL521)
textile cable - black (CECL519)



MACARON

The Macaron table light pays homage to the beauty and complex structures of crystalline stone. Enclosed in opposing domes of delicate handblown glass, the stone becomes a moonscape afloat in its own cosmos. The light source casts its glow upward from the onyx base to energize the meandering chalcedony veins in the centre onyx plate and create a subtle and mesmerizing lighting effect. The concept is based on the principle of illuminating stone, and the name refers to the light's similarity in shape to the famed French meringue confection. Natural imperfections in the glass and the diversity of structures in the stone make each light a unique original.

The purity of the natural materials and the artisanship applied in processing them have given rise to a light of extraordinary ambience. Produced using traditional techniques, Macaron is characteristic of the distinctive and enduring aesthetic of the Brokis brand. MACARON comes in three sizes – the largest of which also makes an attractive floor light – and in several glass colour options with either white or honey onyx.

The collection offers an alternate version featuring a centre plate made of kiln cast glass shards in combination with a wooden base.

DESIGN

Lucie Koldova





GLASS COLOUR / BAS
amber – transparent glass (CGC515)
light pink – transparent glass (CGC46)
smoke grey – transparent glass (CGC516)
dark rosé – transparent glass (CGC1625)
transparent glass (CGC23)

BASE SURFACE / BAS
European Oak – stained white (CSFB1575)
European Oak – stained black (CSFB1574)

BASE SURFACE / ADD
onyx – white (CSFB1535)
onyx – honey (CSFB1576)

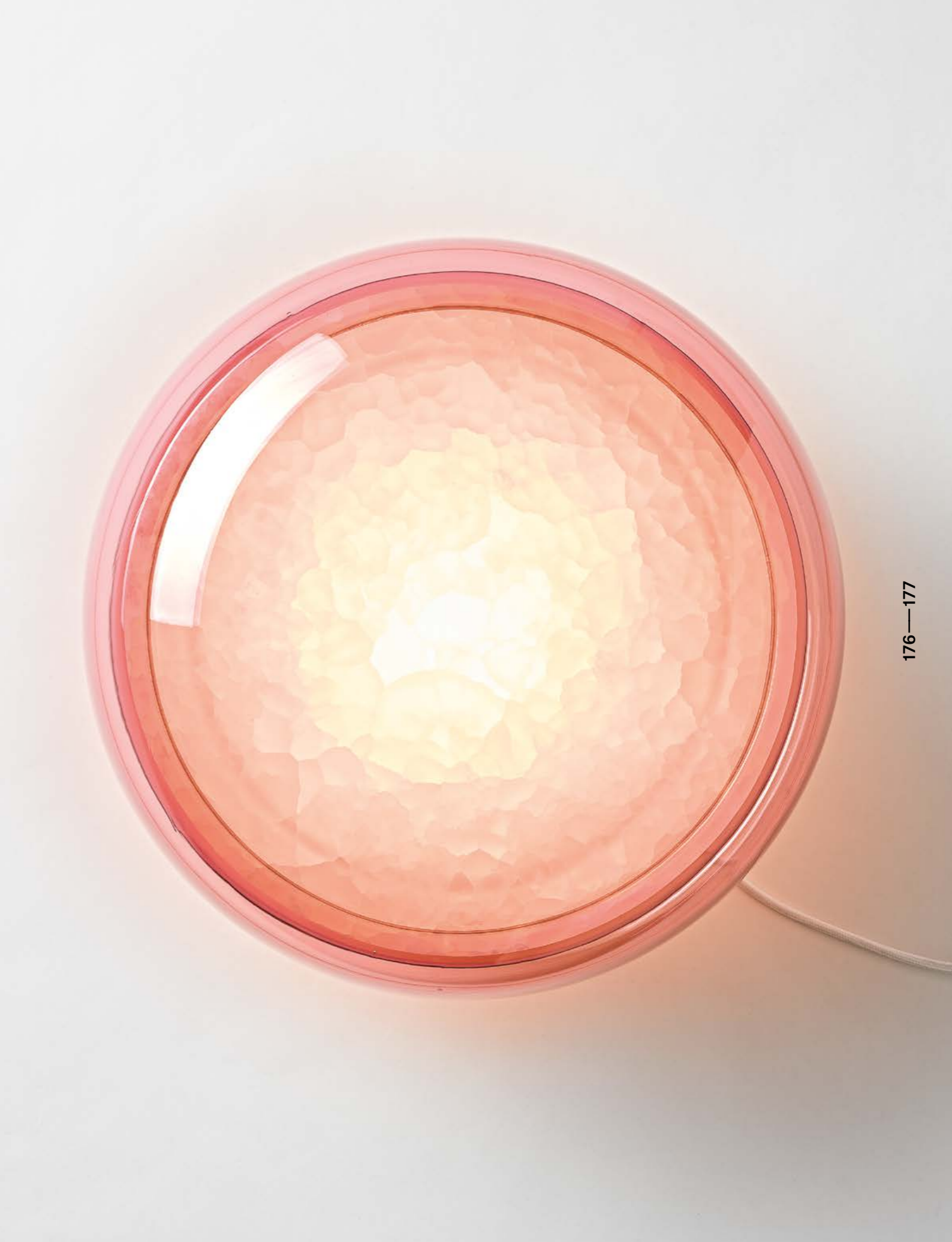
PLATE SURFACE / BAS
Brokis-Glass – smoke grey matt (CSOP1577)
Brokis-Glass – triplex opal matt (CSOP1578)

PLATE SURFACE / ADD
onyx – white (CSOP1532)
onyx – honey (CSOP1533)

CABLE COLOUR / BAS
textile cable – white (CECL521)
textile cable – black (CECL519)
textile cable – grey (CECL520)

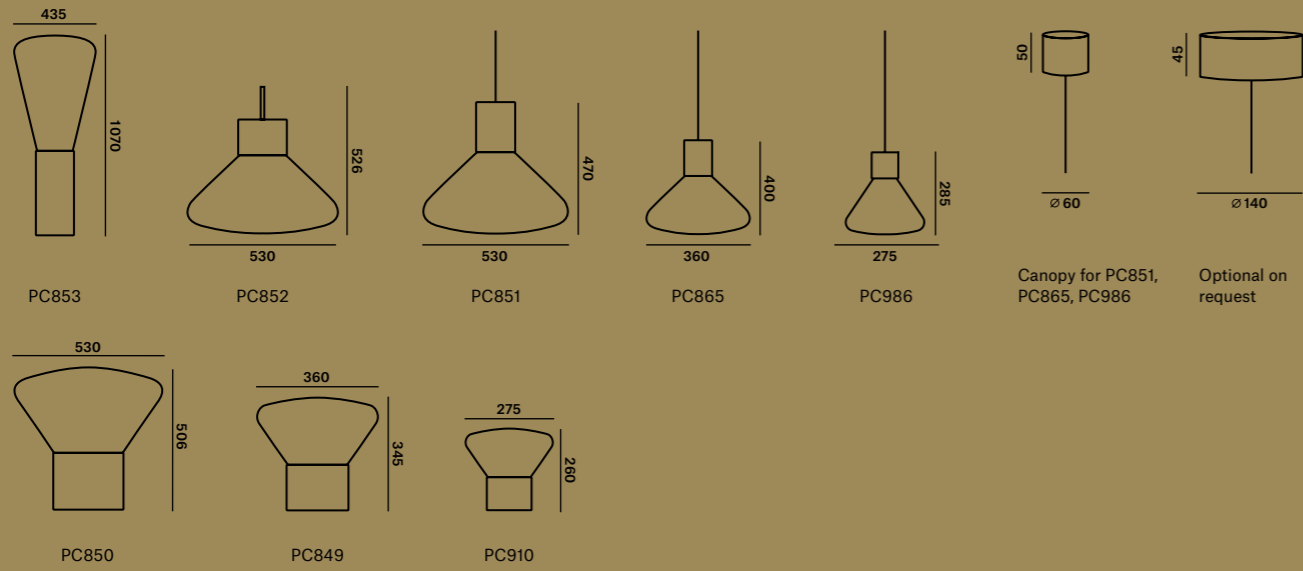








MUFFINS



Canopy for PC851, PC865, PC986
Optional on request

PAGE 20 — 31

p. 20
Muffins – wood 04 – PC853 (CGC23, CGSU66, CCS518, CECL520)
Muffins – wood 03A – PC852 (CGC515, CGSU66, CCS518, CECL520)

p. 22 – 23
Muffins – wood 03A – PC852 (CGC516, CGSU66, CCS680, CECL521)
Muffins – mini wood 06 – PC910 (CGC38, CGSU66, CCS680, CECL521)
Muffins – wood 01 – PC849 (CGC39, CGSU66, CCS680, CECL521)
Muffins – wood 01 – PC849 (CGC23, CGSU66, CCS680, CECL521)
Muffins – wood 04 – PC853 (CGC23, CGSU66, CCS680, CECL521)
Muffins – wood 02 – PC850 (CGC38, CGSU66, CCS680, CECL521)

p. 26
Muffins – wood 01 – PC849, Muffins – mini wood 06 – PC910,
Muffins – wood 02 – PC850
(CGC516, CGSU66, CCS518, CECL520)

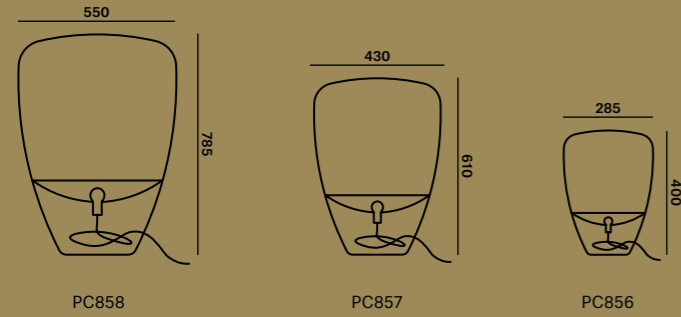
p. 28
Muffins – wood 03B – PC851
(CGC23, CGSU66, CCS592, CECL519)

p. 29
Muffins – wood 02 – PC850, Muffins – wood 04 – PC853
(CGC516, CGSU66, CCS592, CECL519)

p. 30 – 31
Muffins – wood 04 – PC853, Muffins – wood 03A – PC852
(CGC515, CGSU66, CCS518, CECL519)
Muffins – wood 02 – PC850
(CGC538, CGSU66, CCS518, CECL519)
Muffins – wood 01 – PC849
(CGC516, CGSU66, CCS518, CECL519)

p. 24 – 25
Muffins – mini wood 06 – PC910, Muffins – wood 05P – PC865
(CGC23, CGSU66, CCS757, CECL519)
Muffins – wood 01 – PC849, Muffins – wood 04 – PC853
(CGC516, CGSU66, CCS757, CECL519)
Muffins – wood 01 – PC849
(CGC23, CGSU66, CCS757, CECL519)
Muffins – wood 02 – PC850, Muffins – wood 03B – PC851
(CGC516, CGSU66, CCS757, CECL519)
Muffins – wood 03A – PC852
(CGC23, CGSU66, CCS757, CECL519)
Muffins – mini wood 06 – PC910
(CGC516, CGSU66, CCS757, CECL519)

BALLOONS



PAGE 32 — 43

p. 33
Balloons – small – PC856 (CGC516, CGSU66, CCS582, CECL519)

p. 34 – 35
Balloons – small – PC856 (CGC516, CGSU66, CCS582, CECL519)
Balloons – large – PC858 (CGC516, CGSU66, CCS584, CECL519)
Balloons – small – PC856 (CGC516, CGSU66, CCS584, CECL519)
Balloons – medium – PC857 (CGC516, CGSU66, CCS582, CECL519)

p. 38
Balloons – small – PC856 (CGC538, CGSU66, CCS69, CECL519)

p. 39
Balloons – small – PC856 (CGC516, CGSU66, CCS582, CECL519)
Balloons – small – PC856 (CGC516, CGSU66, CCS959, CECL519)
Balloons – small – PC856 (CGC23, CGSU66, CCS960, CECL519)

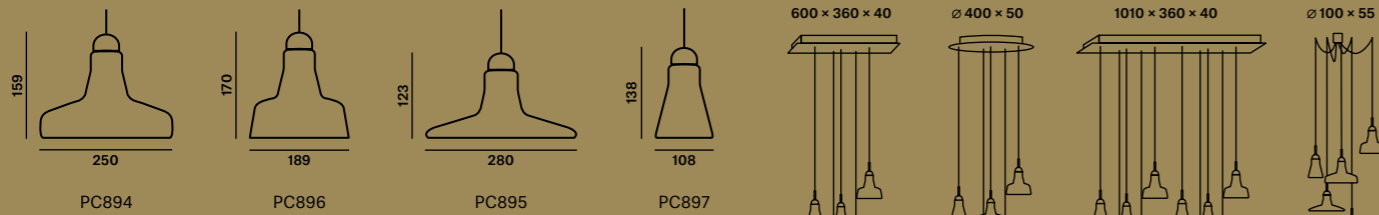
p. 36
Balloons – small – PC856 (CGC23, CGSU66, CCS584, CECL519)
Balloons – medium – PC857 (CGC23, CGSU66, CCS584, CECL519)

p. 41
Balloons – small – PC856, Balloons – medium – PC857
(CGC516, CGSU66, CCS959, CECL519)

p. 37
Balloons – small – PC856 (CGC23, CGSU66, CCS584, CECL519)
Balloons – large – PC858 (CGC23, CGSU66, CCS584, CECL519)
Balloons – small – PC856 (CGC23, CGSU66, CCS584, CECL519)

p. 42 – 43
Balloons – small – PC856 (CGC516, CGSU66, CCS960, CECL519)
Balloons – small – PC856 (CGC538, CGSU66, CCS69, CECL519)
Balloons – small – PC856 (CGC23, CGSU66, CCS275, CECL520)

SHADOWS



PAGE 44 — 59

p. 44
Shadows – rectangular set – PC921
(CGC602, CGSU66, CCS592, CECL519, CCSC619)

p. 55
set up
Shadows, Shadows XL collections
(CGC516, CGSU66, CCS592, CECL519)
Whistle collection
(CGC516, CCS582, CECL519)

p. 46 – 47
Shadows – PC895, PC897, PC894, PC897
(CGC538, CGSU66, CCS757, CECL519)

p. 56
Shadows – PC894, PC896, PC895, PC897
(CGC602, CGSU67, CCS592, CECL519)

p. 48 – 49
set up
Shadows, Shadows XL collections
(CGC516, CGSU66, CCS592, CECL519)
Whistle collection
(CGC516, CCS582, CECL519)

p. 57
Shadows – ring canopy set – PC929
(CGC516, CGSU66, CCS592, CECL519, CCSC619)

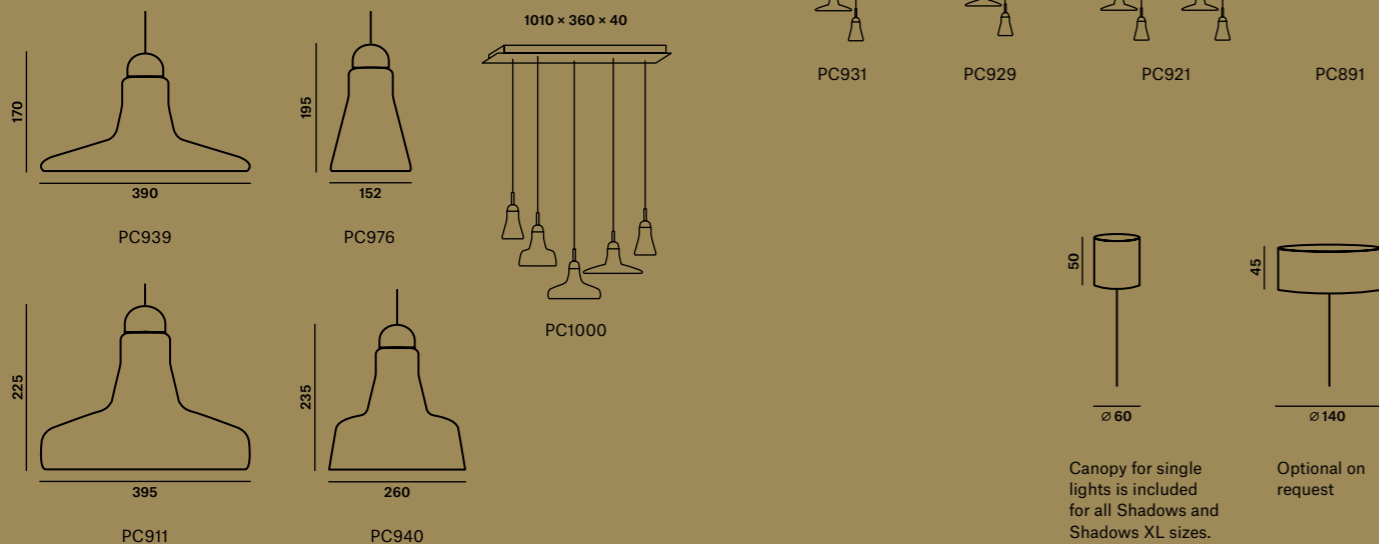
p. 51
set up from free set – PC897, PC894, PC896, PC895
(CGC516, CGSU66, CCS592, CECL519)

p. 58 – 59
set up
Shadows – PC894, PC895, PC896, PC897
(CGC38, CGSU66, CCS518, CECL521)

p. 52
Shadows – PC895, PC897, PC897, PC896, PC894
(CGC38, CGSU66, CCS518, CECL521)

p. 53
Shadows – PC895, PC894, PC896, PC895, PC897
(CGC38, CGSU66, CCS972, CECL521)

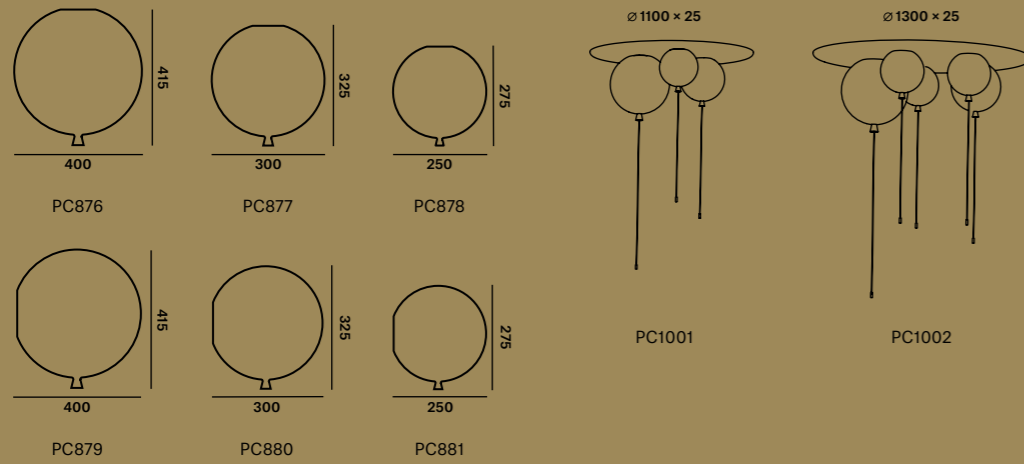
SHADOWS XL



Canopy for single lights is included for all Shadows and Shadows XL sizes.

Optional on request

MEMORY



PAGE 60 — 71

p. 61
Memory – wall – PC879 (CGC39, CGSU66, CEE777)

p. 62
Memory – ceiling – PC878 (CGC39, CGSU881, CEE778)
Memory – ceiling – PC878 (CGC30, CGSU881, CEE778)
Memory – ceiling – PC878 (CGC617, CGSU881, CEE778)

p. 63
Memory – ceiling – PC878 (CGC516, CGSU880, CEE778)

p. 64
Memory – wall – PC881, PC880, PC879 (CGC39, CGSU66, CEE777)

p. 65
Memory – ceiling – PC878 (CGC516, CGSU880, CEE778)

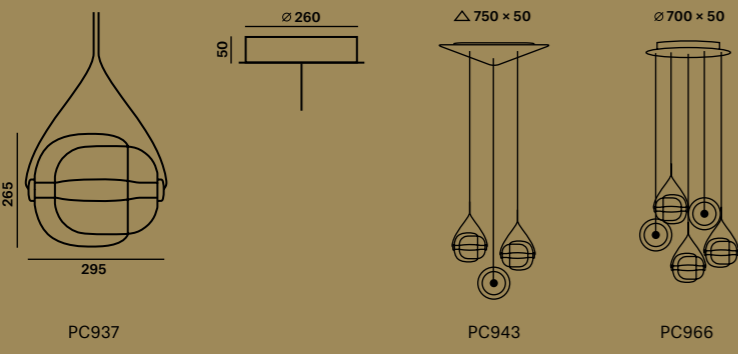
p. 67
Memory – set large – PC1002 (3× CGC39, CGSU66, CEE778, 1× CGC580, CGSU66, CEE778, 1× CGC617, CGSU66, CEE778)

p. 68—69
Memory – ceiling – PC877 (CGC39, CGSU66, CEE777)
Memory – ceiling – PC878 (CGC47, CGSU66, CEE777)
Memory – ceiling – PC876 (CGC617, CGSU66, CEE777)
Memory – ceiling – PC876 (CGC47, CGSU66, CEE777)
Memory – ceiling – PC878 (CGC39, CGSU66, CEE777)
Memory – ceiling – PC877 (CGC617, CGSU66, CEE777)
Memory – ceiling – PC876 (CGC47, CGSU66, CEE777)

p. 70
Memory – set small – PC1001 (2× CGC39, CGSU66, CEE778, 1× CGC47, CGSU66, CEE778)

p. 71
Memory – ceiling – PC876 (CGC39, CGSU881, CEE777)

CAPSULA



PAGE 72 — 85

p. 72
Capsula – PC937 (CGC23, CGCI682, CGSUI906, CECL519)
Capsula – PC937 (CGC23, CGCI685, CGSUI906, CECL519)
Capsula – PC937 (CGC23, CGCI681, CGSUI906, CECL519)
Capsula – PC937 (CGC23, CGCI685, CGSUI906, CECL519)
Capsula – PC937 (CGC23, CGCI682, CGSUI906, CECL519)

p. 74—75
Capsula – PC937 (CGC23, CGCI681, CGSUI906, CECL519)
Capsula – PC937 (CGC23, CGCI686, CGSUI905, CECL519)
Capsula – PC937 (CGC23, CGCI683, CGSUI905, CECL519)

p. 76
Capsula – PC937 (CGC23, CGCI683, CGSUI905, CECL519)
Capsula – PC937 (CGC23, CGCI685, CGSUI905, CECL519)
Capsula – PC937 (CGC23, CGCI749, CGSUI905, CECL519)

p. 77
Capsula – PC937 (CGC23, CGCI685, CGSUI905, CECL519)
Capsula – PC937 (CGC23, CGCI683, CGSUI905, CECL519)
Capsula – PC937 (CGC23, CGCI749, CGSUI906, CECL519)
Capsula – PC937 (CGC23, CGCI683, CGSUI905, CECL519)

p. 79
Capsula – PC937 (CGC23, CGCI749, CGSUI905, CECL521)
Capsula – PC937 (CGC38, CGCI749, CGSUI905, CECL521)
Capsula – PC937 (CGC23, CGCI749, CGSUI905, CECL521)
Capsula – PC937 (CGC23, CGCI749, CGSUI905, CECL521)

p. 80—81
Capsula – PC937 (CGC23, CGCI913, CGSUI905, CECL519)
Capsula – PC937 (CGC23, CGCI913, CGSUI906, CECL519)
Capsula – PC937 (CGC23, CGCI913, CGSUI906, CECL519)

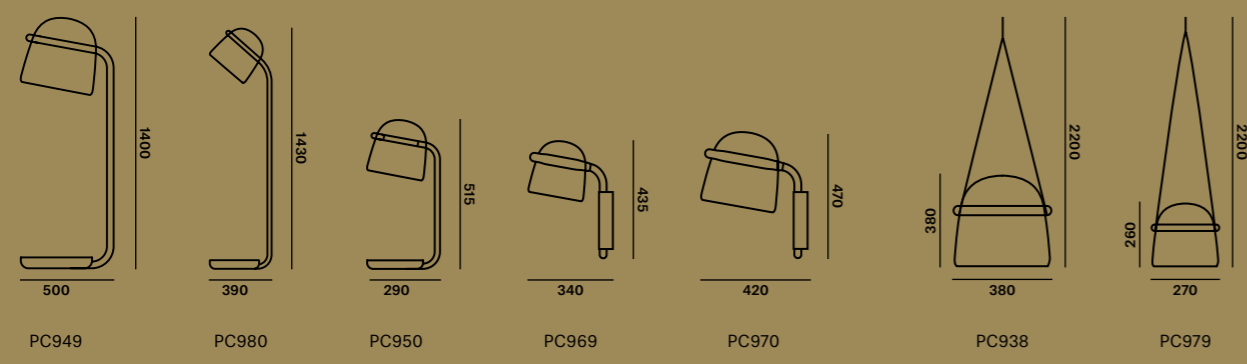
p. 82
Capsula – PC937 (CGC23, CGCI749, CGSUI906, CECL519)
Capsula – PC937 (CGC23, CGCI685, CGSUI905, CECL519)
Capsula – PC937 (CGC23, CGCI913, CGSUI905, CECL519)
Capsula – PC937 (CGC23, CGCI749, CGSUI906, CECL519)
Capsula – PC937 (CGC23, CGCI913, CGSUI905, CECL519)

p. 83
Capsula – PC937 (CGC38, CGCI749, CGSUI905, CECL521)
Capsula – PC937 (CGC38, CGCI749, CGSUI905, CECL521)

p. 84
Capsula – PC937 (CGC23, CGCI912, CGSUI906, CECL519)
Capsula – PC937 (CGC23, CGCI912, CGSUI905, CECL519)
Capsula – PC937 (CGC23, CGCI749, CGSUI906, CECL519)

p. 85
Capsula – PC937 (CGC38, CGCI749, CGSUI905, CECL521)
Capsula – PC937 (CGC38, CGCI749, CGSUI905, CECL521)
Capsula – PC937 (CGC38, CGCI749, CGSUI905, CECL521)

MONA



PAGE 86 — 97

p. 86
Mona – floor – PC949 (CGC516, CCS727, CECL519)
Mona – pendent – PC938 (CGC516, CCS592, GINT678)

p. 88—89
Mona – pendent – PC938 (CGC516, CCS592, CCSC619, GINT758)
Mona – pendent – PC938 (CGC554, CCS592, CCSC619, GINT792)
Mona – pendent – PC938 (CGC38, CCS680, CCSC618, GINT788)

p. 90
Mona – wall S – PC969 (CGC38, CCS732)

p. 91
Mona – floor M – PC980 (CGC700, CCS727, CECL519)
Mona – wall M – PC930 (CGC700, CCS727)

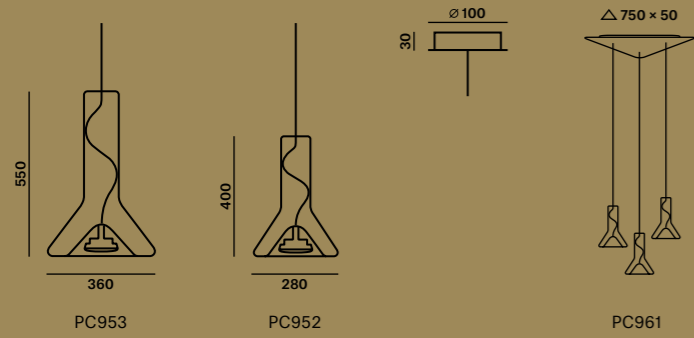
p. 93
Mona – pendent – PC979 (CGC516, CCS592, GINT792)
Mona – pendent – PC979 (CGC516, CCS592, GINT792)

p. 94—95
Mona – mini table – PC950 (CGC38, CCS732, CECL521)
Mona – mini table – PC950 (CGC554, CCS727, CECL519)
Mona – mini table – PC950 (CGC602, CCS727, CECL519)

p. 96
Mona – pendent – PC979 (CGC516, CCS592, GINT758)

p. 97
Mona – floor M – PC980 (CGC602, CCS727, CECL519)

WHISTLE



PAGE 98 — 111

p. 99
Whistle - M - PC953 (CGC38, CCS69, CECL521)
Whistle - S - PC952 (CGC38, CCS69, CECL521)
Whistle - S - PC952 (CGC38, CCS69, CECL521)

p. 106—107
Whistle - M - PC953 (CGC38, CCS69, CECL521)
Whistle - S - PC952 (CGC38, CCS69, CECL521)
Whistle - S - PC952 (CGC38, CCS69, CECL521)

p. 100—101
Whistle - M - PC953 (CGC23, CCS575, CECL521)
Whistle - M - PC953 (CGC23, CCS575, CECL521)
Whistle - M - PC953 (CGC23, CCS575, CECL521)

p. 108
Whistle - M - PC953 (CGC23, CCS575, CECL521)
Whistle - M - PC953 (CGC23, CCS575, CECL521)
Whistle - M - PC953 (CGC23, CCS575, CECL521)

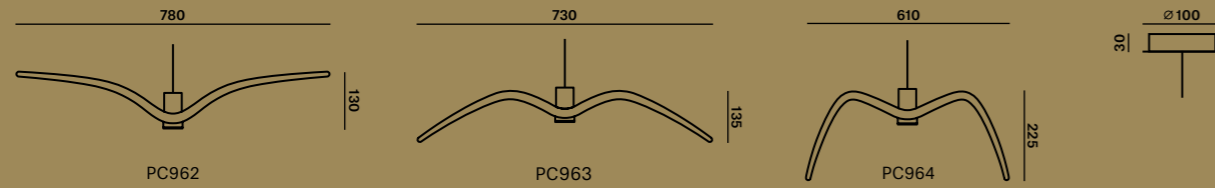
p. 103
Whistle - M - PC953 (CGC516, CCS582, CECL519)
Whistle - S - PC952 (CGC516, CCS582, CECL519)

p. 110
Whistle - M - PC953 (CGC516, CCS582, CECL519)
Whistle - S - PC952 (CGC516, CCS582, CECL519)
Whistle - M - PC953 (CGC516, CCS582, CECL519)
Whistle - S - PC952 (CGC516, CCS582, CECL519)
Whistle - M - PC953 (CGC516, CCS582, CECL519)

p. 104—105
set up
Shadows, Shadows XL collections
(CGC516, CGSU66, CCS592, CECL519)
Whistle collection
(CGC516, CCS582, CECL519)

p. 111
Whistle - S - PC952 (CGC23, CCS275, CECL519)
Whistle - M - PC953 (CGC23, CCS275, CECL519)
Whistle - S - PC952 (CGC23, CCS275, CECL519)

NIGHT BIRDS



PAGE 112 — 121

p. 112
set up
Night Birds - PC962 (CGC882, CCS775, CECL149)
Night Birds - PC963 (CGC882, CCS775, CECL149)
Night Birds - PC964 (CGC882, CCS775, CECL149)

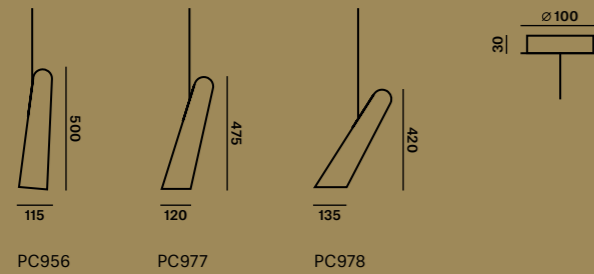
p. 118—119
Night Birds - PC962 (CGC882, CCS775, CECL149)
Night Birds - PC963 (CGC882, CCS775, CECL149)
Night Birds - PC964 (CGC882, CCS775, CECL149)

p. 114—115
set up
Night Birds - PC962 (CGC772, CCS775, CECL149)
Night Birds - PC963 (CGC772, CCS775, CECL149)
Night Birds - PC964 (CGC772, CCS775, CECL149)

p. 120—121
Night Birds - PC962 (CGC772, CCS775, CECL149)
Night Birds - PC963 (CGC772, CCS775, CECL149)
Night Birds - PC964 (CGC772, CCS775, CECL149)

p. 116
set up
Night Birds - PC962 (CGC772, CCS775, CECL149)
Night Birds - PC963 (CGC772, CCS775, CECL149)
Night Birds - PC964 (CGC772, CCS775, CECL149)

FLUTES



PAGE 122 — 129

p. 123
Flutes - PC978 (CGC516, CCS846, CCSC619, CECL519)
Flutes - PC956 (CGC38, CCS845, CCSC618, CECL521)
Flutes - PC977 (CGC157, CCS615, CCSC844, CECL801)

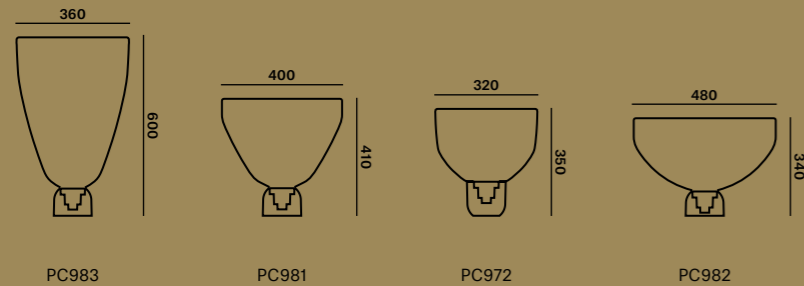
p. 128
Flutes - PC978 (CGC516, CCS846, CECL519)

p. 124—125
Flutes - PC978 (CGC157, CCS615, CECL801)
Flutes - PC977 (CGC157, CCS615, CECL801)
Flutes - PC956 (CGC157, CCS615, CECL801)

p. 129
Flutes - PC978 (CGC516, CCS846, CECL519)
Flutes - PC956 (CGC516, CCS846, CECL519)
Flutes - PC977 (CGC516, CCS846, CECL519)

p. 126—127
Flutes - PC978 (CGC38, CCS845, CECL521)
Flutes - PC956 (CGC38, CCS845, CECL521)
Flutes - PC977 (CGC38, CCS845, CECL521)

LIGHT LINE



PAGE 130 — 141

p. 131
Lightline - S - PC972 (CGC544, CGGB812, CGSUB891, CECL521)

p. 137
Lightline - S - PC972 (CGC45, CGGB812, CGSUB890, CECL520)

p. 132—133
Lightline - M - PC981 (CGC554, CGGB812, CGSUB890, CECL520)
Lightline - L - PC982 (CGC23, CGGB812, CGSUB891, CECL520)
Lightline - L-H - PC983 (CGC516, CGGB812, CGSUB890, CECL520)
Lightline - S - PC972 (CGC515, CGGB812, CGSUB891, CECL520)

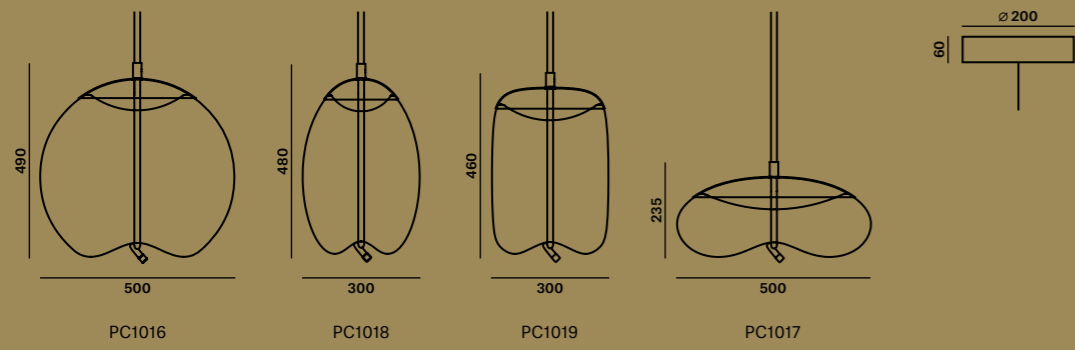
p. 138—139
Lightline - S - PC972 (CGC544, CGGB812, CGSUB891, CECL521)

p. 134
Lightline - S - PC972 (CGC38, CGGB812, CGSUB890, CECL520)

p. 140
Lightline - L-H - PC983 (CGC23, CGGB812, CGSUB891, CECL521)

p. 141
Lightline - S - PC972 (CGC45, CGGB812, CGSUB890, CECL520)

KNOT



PAGE 142 — 153

p. 143
 Knot - Cilindro - PC1019 (CGC516, CGSU66, CCS584, CRP970)
 Knot - Sfera - PC1016 (CGC516, CGSU66, CCS584, CRP970)

p. 149
 Knot - Cilindro - PC1019 (CGC23, CCS584, CRP970)
 Knot - Sfera - PC1016 (CGC23, CCS584, CRP970)
 Knot - Disco - PC1017 (CGC23, CCS584, CRP970)

p. 144 - 145
 Knot - Uovo - PC1018 (CGC516, CCS959, CRP970)
 Knot - Sfera - PC1016 (CGC516, CCS959, CRP970)
 Knot - Cilindro - PC1019 (CGC516, CCS959, CRP970)
 Knot - Disco - PC1017 (CGC516, CCS959, CRP970)

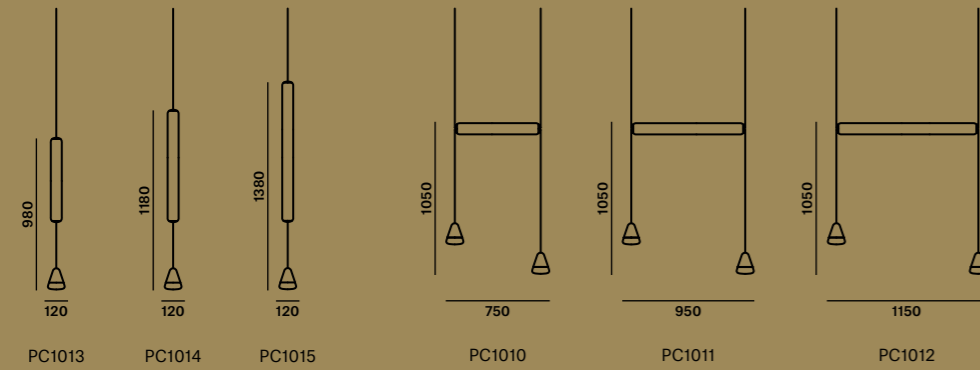
p. 150 - 151
 Knot - Uovo - PC1018 (CGC538, CCS69, CRP970)
 Knot - Cilindro - PC1019 (CGC538, CCS69, CRP970)
 Knot - Sfera - PC1016 (CGC538, CCS69, CRP970)
 Knot - Disco - PC1017 (CGC538, CCS69, CRP970)

p. 147
 Knot - Uovo - PC1018 (CGC538, CCS69, CRP970)
 Knot - Cilindro - PC1019 (CGC538, CCS69, CRP970)
 Knot - Sfera - PC1016 (CGC538, CCS69, CRP970)

p. 152
 Knot - Uovo - PC1018 (CGC516, CCS959, CRP970)
 Knot - Sfera - PC1016 (CGC516, CCS959, CRP970)
 Knot - Cilindro - PC1019 (CGC516, CCS959, CRP970)
 Knot - Disco - PC1017 (CGC516, CCS959, CRP970)

p. 148
 Knot - Sfera - PC1016 (CGC38, CCS68, CRP970)

PURO



PAGE 154 — 167

p. 154
 Puro - Horizontal - PC1011 (CGC1507, CGGB977, CGSUB890, CECL519)
 Puro - Horizontal - PC1012 (CGC1507, CGGB977, CGSUB890, CECL519)
 Puro - Vertical - PC1014 (CGC1507, CGGB977, CGSUB890, CECL519)
 Puro - Vertical - PC1015 (CGC1507, CGGB977, CGSUB890, CECL519)
 Puro - Vertical - PC1015 (CGC1507, CGGB977, CGSUB890, CECL519)

p. 161
 Puro - Vertical - PC1014 (CGC39, CGGB812, CGSUB890, CECL521)
 Puro - Vertical - PC1015 (CGC39, CGGB812, CGSUB890, CECL521)
 Puro - Vertical - PC1013 (CGC39, CGGB812, CGSUB890, CECL521)
 Puro - Horizontal - PC1010 (CGC39, CGGB812, CGSUB890, CECL521)

p. 156 - 157
 set up - detail
 Puro - Horizontal - PC1011 (CGC1507, CGGB977, CGSUB890, CECL519)
 Puro - Horizontal - PC1012 (CGC1507, CGGB977, CGSUB890, CECL519)
 Puro - Vertical - PC1014 (CGC1507, CGGB977, CGSUB890, CECL519)
 Puro - Vertical - PC1015 (CGC1507, CGGB977, CGSUB890, CECL519)
 Puro - Vertical - PC1015 (CGC1507, CGGB977, CGSUB890, CECL519)

p. 162
 Puro - Horizontal - PC1012 (CGC1507, CGGB977, CGSUB890, CECL519)
 Puro - Vertical - PC1015 (CGC1507, CGGB977, CGSUB890, CECL519)

p. 158
 Puro - Horizontal - PC1010 (CGC39, CGGB812, CGSUB890, CECL521)
 Puro - Horizontal - PC1012 (CGC39, CGGB812, CGSUB890, CECL521)
 Puro - Horizontal - PC1011 (CGC39, CGGB812, CGSUB890, CECL521)
 Puro - Vertical - PC1014 (CGC39, CGGB812, CGSUB890, CECL521)
 Puro - Vertical - PC1015 (CGC39, CGGB812, CGSUB890, CECL521)
 Puro - Vertical - PC1013 (CGC39, CGGB812, CGSUB890, CECL521)

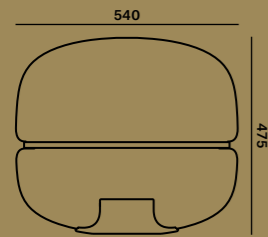
p. 163
 Puro - Vertical - PC1014 (CGC1507, CGGB812, CGSUB890, CECL519)
 Puro - Vertical - PC1015 (CGC1507, CGGB812, CGSUB890, CECL519)
 Puro - Vertical - PC1013 (CGC1507, CGGB812, CGSUB890, CECL519)

p. 159
 Puro - Vertical - PC1014 (CGC39, CGGB812, CGSUB890, CECL521)
 Puro - Vertical - PC1015 (CGC39, CGGB812, CGSUB890, CECL521)
 Puro - Vertical - PC1013 (CGC39, CGGB812, CGSUB890, CECL521)

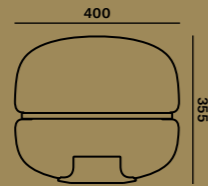
p. 164 - 165
 Puro - Vertical - PC1014 (CGC39, CGGB812, CGSUB890, CECL521)
 Puro - Vertical - PC1014 (CGC39, CGGB812, CGSUB890, CECL521)
 Puro - Vertical - PC1015 (CGC39, CGGB812, CGSUB890, CECL521)
 Puro - Vertical - PC1013 (CGC39, CGGB812, CGSUB890, CECL521)
 Puro - Horizontal - PC1012 (CGC39, CGGB812, CGSUB890, CECL521)

p. 167
 Puro - Vertical - PC1015 (CGC39, CGGB812, CGSUB890, CECL521)
 Puro - Vertical - PC1015 (CGC39, CGGB812, CGSUB890, CECL521)
 Puro - Vertical - PC1014 (CGC39, CGGB812, CGSUB890, CECL521)

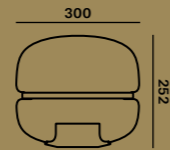
Canopy on request



PC1040



PC1039



PC1038

The product variants that we offer are classified in ascending order into four price levels: Basic (BAS), Standard (STA), Advanced (ADD), Individual (IND). Product variants classified as ALL are universal and may be selected for any of the four price levels.

p. 169
Macaron – PC1040 (CSFB1535, CGC23, CSOP1532, CECL521)
Macaron – PC1038 (CSFB1574, CGC516, CSOP1533, CECL521)

p. 170
Macaron – PC1038 (CGC516, CSOP1577, CECL521)

p. 171
Macaron – PC1039 (CSFB1576, CGC515, CSOP1533, CECL521)

p. 172 – 173
Macaron – PC1039 (CSFB1576, CGC1625, CSOP1533, CECL521)
Macaron – PC1038 (CSFB1576, CGC1625, CSOP1533, CECL521)
Macaron – PC1040 (CSFB1576, CGC46, CSOP1533, CECL521)
Macaron – PC1039 (CSFB1535, CGC23, CSOP1532, CECL521)
Macaron – PC1038 (CSFB1576, CGC515, CSOP1533, CECL521)

p. 175
Macaron – PC1039 (CSFB1535, CGC516, CSOP1532, CECL521)

p. 176
Macaron – PC1040 (CSFB1576, CGC23, CSOP1532, CECL521)

p. 177
Macaron – PC1039 (CGC1625, CSOP1532, CECL521)

p. 178 – 179
Macaron – PC1038 (CSFB1576, CGC515, CSOP1533, CECL521)
Macaron – PC1039 (CSFB1576, CGC23, CSOP1533, CECL521)

BROKIS

OFFICE Španielova 1315/25
163 00 Prague 6, Czech Republic
SHOWROOM Sídlíště Janštejn 39
588 52 Horní Dubenky
Czech Republic
T +420 567 211 517
F +420 567 211 727
E info@brokis.cz
W www.brokis.cz

PRODUCT DESIGN

Creative direction
Lucie Koldova

DESIGNERS

Lucie Koldova
Dan Yeffet
Boris Klimek
Chiaramonte Marin

PHOTO

Martin Chum
Kristina Hrabětová
Dana Hosová

GRAPHIC DESIGN

Studio Marvil



